

Quick Start

QFX5110-32Q

IN THIS GUIDE

- [Step 1: Begin | 1](#)
- [Step 2: Up and Running | 3](#)
- [Step 3: Keep Going | 6](#)

Step 1: Begin

IN THIS SECTION

- [Mount the QFX5110-32Q | 2](#)
- [Connect Power to the QFX5110-32Q | 3](#)

To mount, connect power to, and perform the initial configuration of a Juniper Networks QFX5110-32Q, you need:

- Electrostatic discharge (ESD) grounding strap (not provided)
 - One pair of front mounting-rails (provided)
 - One pair of rear mounting-blades (provided)
 - Twelve screws to secure the mounting-rails and the mounting-blades to the chassis (provided)
 - Eight screws to secure the chassis and mounting-blades to the rack (not provided)
 - Screwdriver appropriate for your rack mounting screws (not provided)
-

- Two power cords with plugs appropriate for your geographical location (provided)
- RJ-45 cable and RJ-45 to DB-9 serial port adapter (not provided)

NOTE: We no longer include a DB-9 to RJ-45 cable or a DB-9 to RJ-45 adapter with a CAT5E copper cable as part of the device package. If you require a console cable, you can order it separately with the part number JNP-CBL-RJ45-DB9 (DB-9 to RJ-45 adapter with a CAT5E copper cable).

- Management host, such as a PC laptop, with a serial port (not provided)

Mount the QFX5110-32Q

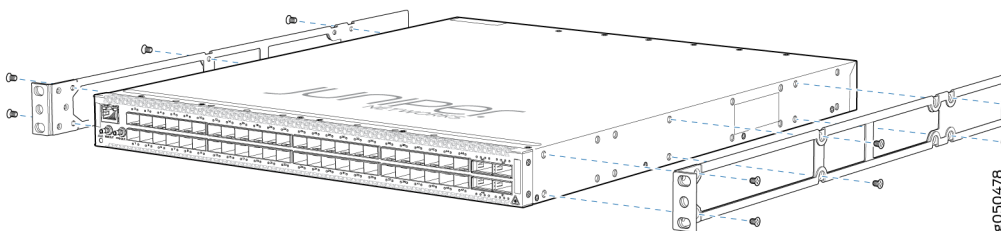
The QFX5110-32Q can only be mounted in a four-post 19-inch rack configuration.

To mount the switch:

1. Attach the ESD grounding strap to your bare wrist and to a site ESD point.

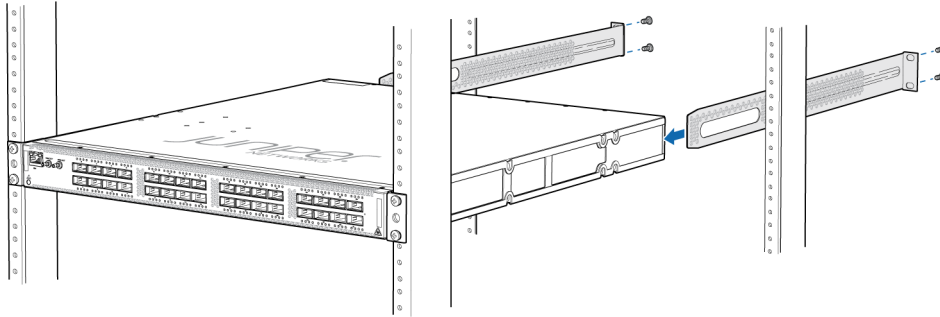
NOTE: If you are mounting multiple units in the rack, mount the heaviest unit at the bottom and mount the others from bottom to top in order of decreasing weight. The switch weighs approximately 24.6 lb (11.2 kg). Installing the QFX5110-32Q in a rack or cabinet requires two persons to lift the switch and secure it to the rack.

2. Place the rack in its permanent location, allowing adequate clearance for airflow and maintenance, and secure it to the building structure.
3. Determine whether the end with field replaceable units (FRUs) or the ports is to be placed at the front of the rack.
4. Align the holes in the side-mounting rail with the holes on the side of the chassis.
5. Attach the side-mounting rail to the device using six mounting screws.



6. Repeat Step 4 and Step 5 on the opposite side of the device.
7. Have one person grasp both sides of the switch, lift it, and position it in the rack so that the front bracket is aligned with the rack holes.
8. Have a second person secure the front of the switch to the rack using four mounting screws (and cage nuts and washers if your rack requires them.) Tighten the screws.

9. Continue to support the switch while sliding the rear mounting-blades into the channel of the side mounting-rails and securing the blades to the rack. Use the four mounting screws (and cage nuts and washers if your rack requires them) to attach each blade to the rack. Tighten the screws.
10. Ensure that the switch chassis is level by verifying that all the screws on the front of the rack are aligned with the screws at the back of the rack.



11. Attach a grounding cable to earth ground and then attach it to the chassis grounding points.

Connect Power to the QFX5110-32Q

The switch is supplied with two factory-installed power supplies.

To connect power to an AC-powered switch:

1. If the AC power source outlet has a power switch, set it to the OFF (0) position.
2. Insert the coupler end of the power cord into the AC power cord inlet on the AC power supply faceplate.
3. Push the power cord retainer onto the power cord.
4. Insert the power cord plug into the power source outlet.
5. If the AC power source outlet has a power switch, set it to the ON (I) position.
6. Verify that the AC and the DC LEDs are lit green and on steadily.

Step 2: Up and Running

IN THIS SECTION

- Set Parameter Values | 4
- Perform the Initial Configuration | 4

Set Parameter Values

You must perform the initial configuration of the switch through the console port. Before you begin, set the following parameter values in the console server or PC:

- Baud Rate—9600
- Flow Control—None
- Data—8
- Parity—None
- Stop Bits—1
- DCD State—Disregard

Perform the Initial Configuration

To connect and configure the switch from the console:

1. Connect the console port to a laptop or PC using an RJ-45 cable and RJ-45 to DB-9 adapter. The console (**CON**) port is located on the management panel of the switch.
2. Log in as **root**. There is no password. If the software booted before you connected to the console port, you might need to press the Enter key for the prompt to appear.

```
login: root
```

3. Start the CLI.

```
root% cli
```

4. Enter configuration mode.

```
root> configure
```

5. Add a password to the root administration user account.

```
[edit]  
root# set system root-authentication plain-text-password  
New password: password  
Retype new password: password
```

- (Optional) Configure the name of the switch. If the name includes spaces, enclose the name in quotation marks (" ").

```
[edit]
root@# set system host-name host-name
```

- Configure the default gateway.

```
[edit]
root@# set routing-options static route default next-hop address
```

- Configure the IP address and prefix length for the switch management interface.

```
[edit]
root@# set interfaces em0 unit 0 family inet address address/prefix-length
```

NOTE: The management ports em0 (C0) and em1 (C1) are found on the FRU end of the QFX5110 switch.

- (Optional) Configure the static routes to remote prefixes with access to the management port.

```
[edit]
root@# set routing-options static route remote-prefix next-hop destination-ip retain no-readvertise
```

- Enable Telnet service.

```
[edit]
root@# set system services telnet
```

NOTE: When Telnet is enabled, you cannot log in to a QFX5110 switch through Telnet using root credentials. Root login is allowed only for SSH access.

- Enable SSH service for root login.

```
[edit]
root@# set system services SSH
```

- Commit the configuration to activate it on the switch.

```
[edit]
root@# commit
```

Step 3: Keep Going

IN THIS SECTION

- Safety Warnings Summary | 6
- Power Cable warning (Japanese) | 7
- Contacting Juniper Networks | 7

Safety Warnings Summary

This is a summary of safety warnings. For a complete list of warnings, including translations, see the QFX5110 switch documentation at https://www.juniper.net/documentation/product/en_US/qfx5110.



WARNING: Failure to observe these safety warnings can result in personal injury or death.

- Permit only trained and qualified personnel to install or replace device components.
- Perform only the procedures described in this quick start and the QFX5110 switch documentation. Other services must be performed only by authorized service personnel.
- Before installing the switch, read the planning instructions in the QFX5110 switch documentation to make sure that the site meets power, environmental, and clearance requirements for the switch.
- Before connecting the switch to a power source, read the installation instructions in the QFX5110 switch documentation.
- The QFX5110-32Q switch weighs approximately 24.6 lb (11.2 kg). Manually installing the QFX5110-32Q switch in a rack or cabinet at a height above 60 in. (152.4 cm) requires two persons to lift the switch and install mounting screws. To prevent injury, keep your back straight and lift with your legs, not your back.
- If the rack or cabinet has stabilizing devices, install them in the rack before mounting or servicing the switch in the rack or cabinet.
- Before installing or after removing an electrical component, always place it component-side up on a flat antistatic mat or in an antistatic bag.
- Do not work on the switch or connect or disconnect cables during electrical storms.
- Before working on equipment that is connected to power lines, remove jewelry, including rings, necklaces, and watches. Metal objects heat up when connected to power and ground and can cause serious burns or become welded to the terminals.



CAUTION: Do not place a copper transceiver in an access port directly above or below another copper transceiver. Damage to the access ports will occur.

Power Cable warning (Japanese)

The attached power cable is only for this product. Do not use this cable for another product.

注意

付属の電源コードセットはこの製品専用です。
他の電気機器には使用しないでください。

310410000

Contacting Juniper Networks

For technical support, see:

<http://www.juniper.net/support/requesting-support.html>