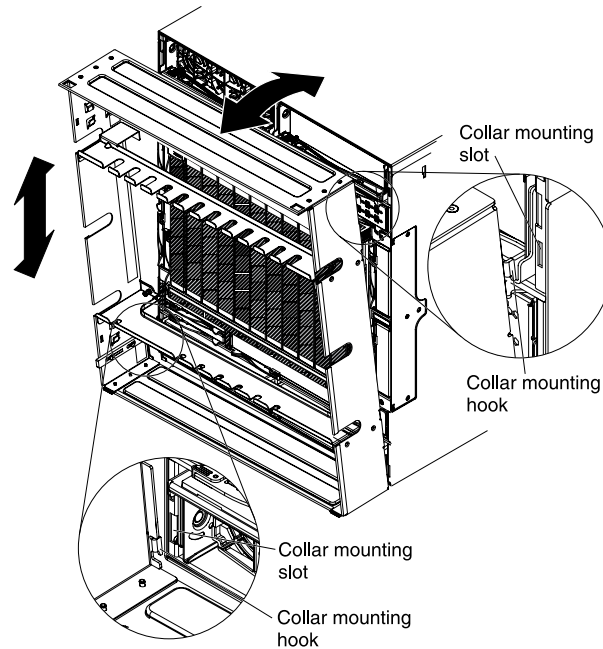


Removing a JCS 1200 Bezel Collar

Figure 1 on page 1 shows how to remove and install a bezel collar.

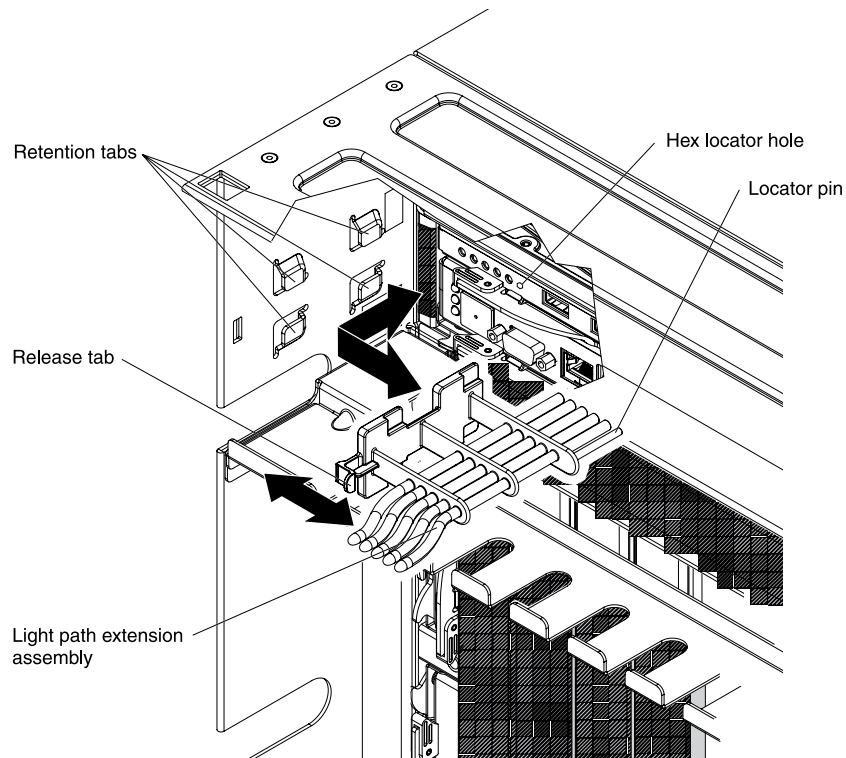
Figure 1: Removing and Installing the JCS 1200 Bezel Collar



To install a JCS 1200 bezel collar (see Figure 1 on page 1):

1. Attach an electrostatic discharge (ESD) grounding strap to your bare wrist and connect the strap to one of the ESD points on the chassis.
2. Remove the bezel. See Removing a JCS 1200 Bezel Filter for more information.
3. Remove the light path extension assembly (see Figure 2 on page 2). Two light path extension assemblies are shipped with the JCS 1200 Bezel to extend the light path LEDs so that they are visible through the bezel. Remove one light path extension assembly for each of the media trays installed in your JCS 1200 platform.

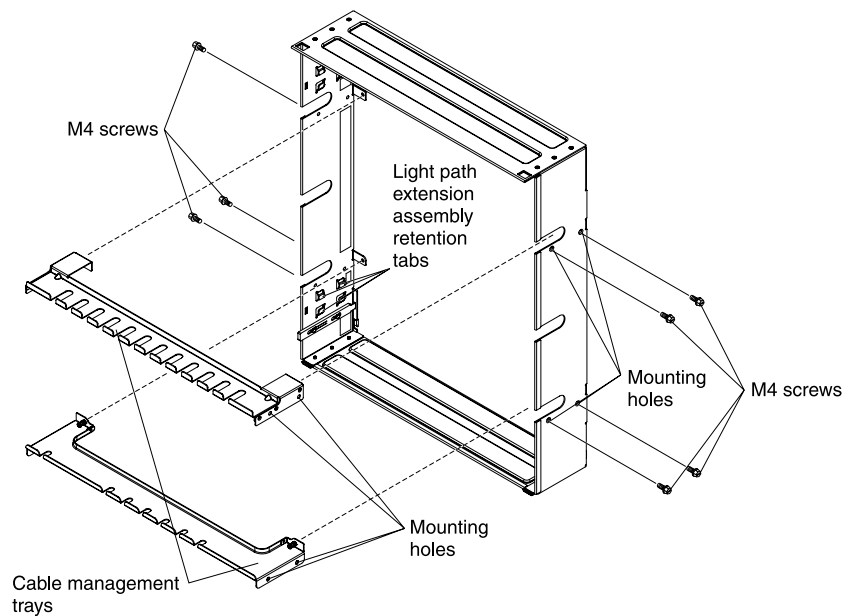
Figure 2: Removing the Light Path Extension Assembly



- a. Push the release tab towards the center of the JCS 1200 platform.
- b. Pull the light path extension assembly away from the JCS 1200 platform.
- c. Remove management module 1 from management module bay 1. See Removing a JCS 1200 Management Module or Module Filler for more information.
- d. Remove the interposer from management module bay 1:
 - i. Pull the management module interposer release handle to the open position. The interposer moves out of the bay approximately 0.25 in. (0.6 cm).
 - ii. Slide the interposer out of the bay.
- e. Remove any switch modules or module fillers from switch module bays 7 and 8. See Removing a JCS 1200 Switch Module or Module Filler for more information.
- f. Remove the interposer from switch module bays 7 and 8:
 - i. Pull the switch module interposer release handle to the open position. The interposer moves out of the bay approximately 0.25 in. (0.6 cm).

- ii. Slide the interposer out of the bay.
 - g. Using a Phillips-head screwdriver, loosen the captive mounting screws on the cable management trays so that they do not secure the trays and bezel collar to the JCS 1200 platform.
 - h. Remove the bezel collar by lifting up the bezel collar and then pulling the bezel collar away from the JCS 1200 platform.
4. Remove the cable management trays by using a Phillips-head screwdriver to remove the M4 screws that secure each tray to the bezel.

Figure 3: Removing the Cable Management Trays



NOTE: Three M4 screws are used to secure the upper cable management tray and four M4 screws are used to secure the lower cable management tray.

5. If you are instructed to return the bezel collar, follow all packaging instructions and use any packaging materials for shipping that are supplied to you.

- Related Topics**
- Preventing Electrostatic Discharge Damage to the JCS 1200 Platform
 - Installing a JCS 1200 Bezel Collar

