

Installing the M320 Chassis in the Rack Manually

To install the router in the rack (see Figure 2 on page 3):



CAUTION: If you are installing two routers in one rack, install the lower one first. Installing a router in the upper position in a rack or cabinet requires a lift.

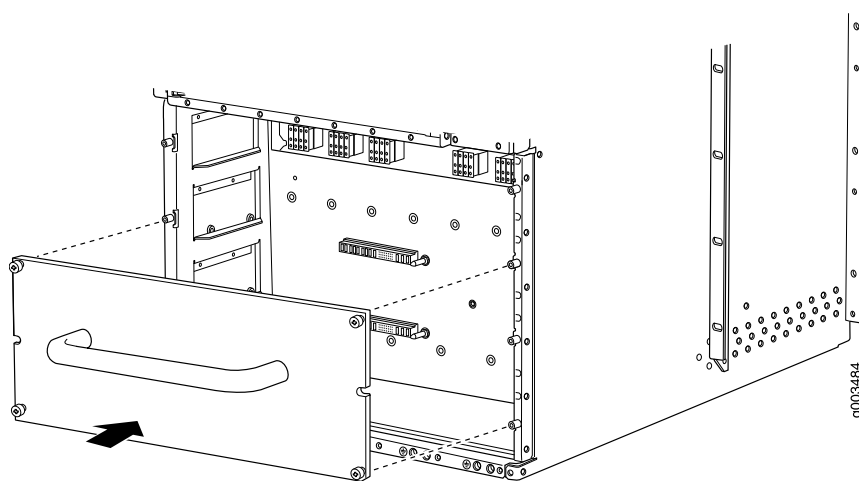


CAUTION: Before front mounting the router in a rack, have a qualified technician verify that the rack is strong enough to support the router's weight and is adequately supported at the installation site.

Lifting the chassis and mounting it in a rack requires three people. The empty chassis weighs approximately 142 lb (64.7 kg).

1. Ensure the rack is in its permanent location and is secured to the building. Ensure that the installation site allows adequate clearance for both airflow and maintenance. For details, see [\[Unresolved xref\]](#).
2. Attach the installation handle by tightening the captive screws of the handle into the holes previously occupied by the captive screws of the power supplies in slots PEM1 and PEM3 (see Figure 1 on page 1). Tighten the screws, using a Phillips (+) screwdriver, number 2.

Figure 1: Attaching the Installation Handle



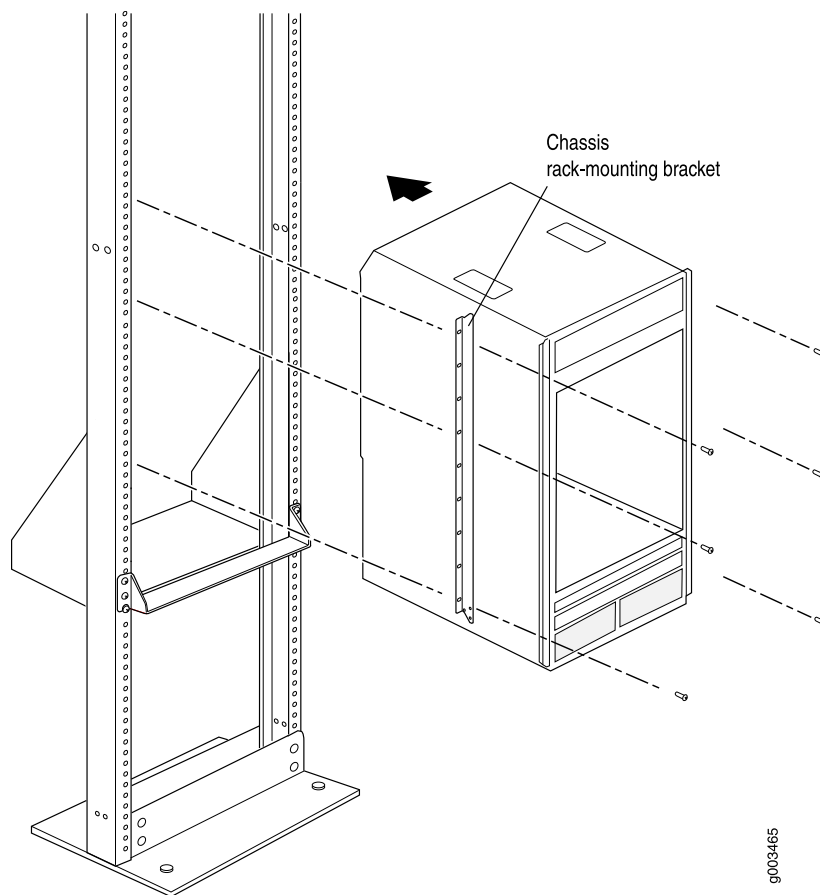
3. Position the router in front of the rack or cabinet, centering it in front of the mounting shelves. Use a pallet jack if one is available.
4. With one person on each side and one person in the front, hold onto the bottom of the chassis and carefully lift it onto the large and small (if installed) mounting shelves.



WARNING: To prevent injury, keep your back straight and lift with your legs, not your back. Avoid twisting your body as you lift. Balance the load evenly and be sure that your footing is solid.

5. With one person pulling on the installation handle from the rear of the rack or cabinet while another person pushes on the front-mounting flanges, slide the router onto the mounting shelves until the mounting brackets or front-mounting flanges contact the rack rails or spacer bars (depending on your type of installation). The shelves ensure that the holes in the mounting brackets and the front-mounting flanges of the chassis align with the holes in the rack rails.
6. If you are installing the router in a four-post rack or cabinet, install a mounting screw and a cage nut into each of the holes aligned with the threaded holes in the spacer bars. If you are installing the router in an open-frame rack, install a mounting screw into each of the open mounting holes aligned with the rack, starting from the bottom.
7. Loosen the captive screws on the installation handle completely, and remove the handle from the chassis.
8. Visually inspect the alignment of the router. If the router is installed properly in the rack, all the mounting screws on one side of the rack should be aligned with the mounting screws on the opposite side and the router should be level.

Figure 2: Installing the Router in the Rack



NOTE: This illustration depicts the router being installed in an open-frame rack. For an illustration of the mounting hardware required for a four-post rack or cabinet, see [\[Unresolved xref\]](#).

