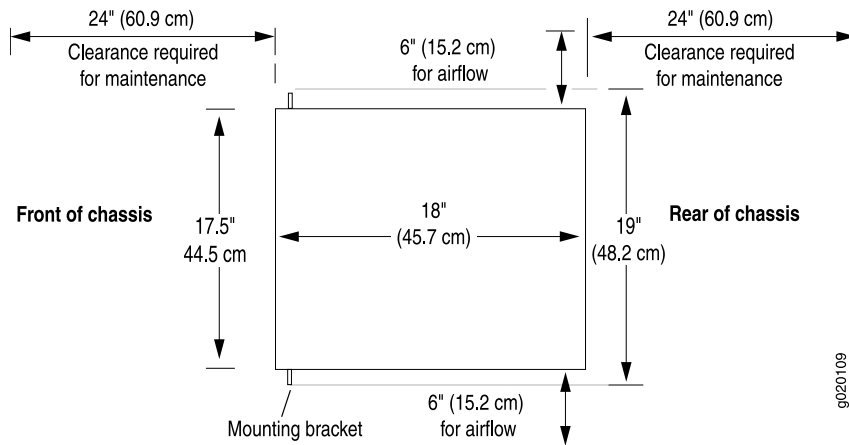


## Clearance Requirements for Airflow and Hardware Maintenance

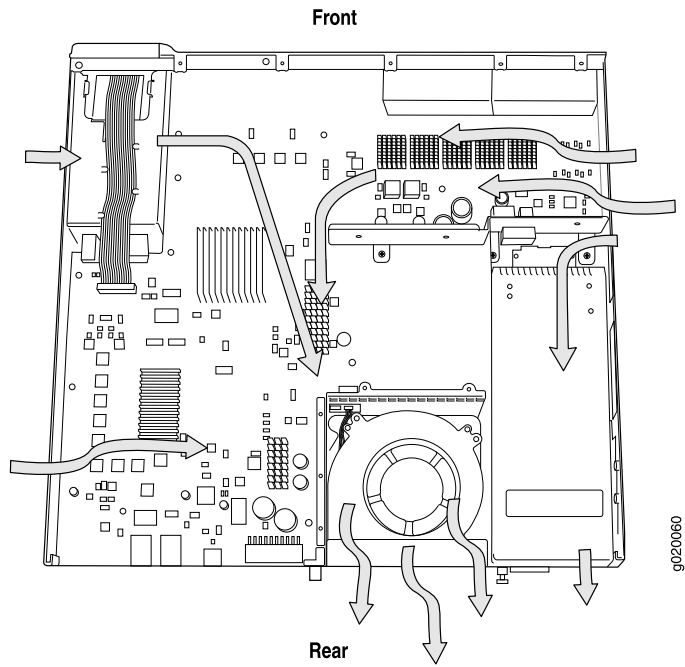
When planning the site for installing an EX-series switch, you must allow sufficient clearance around the installed switch (see Figure 1 on page 1).

**Figure 1: Clearance Requirements for Airflow and Hardware Maintenance**

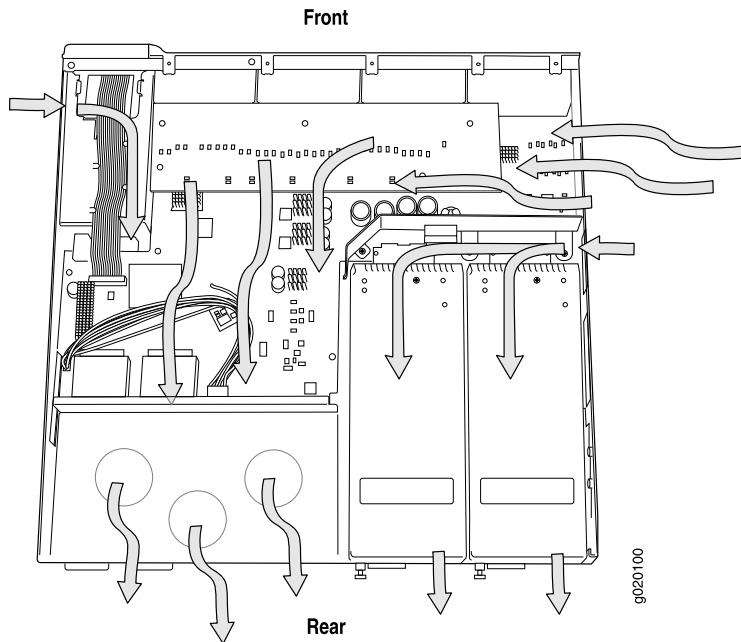


- Allow at least 6 in. (15.2 cm) of clearance on the side between devices that have fans or blowers installed. Allow 2.8 in. (7 cm) between the side of the chassis and any non-heat-producing surface such as a wall. For the cooling system to function properly, the airflow around the chassis must be unrestricted. Figure 2 on page 2 shows the airflow through the EX 3200 switch chassis and Figure 3 on page 2 shows the airflow through the EX 4200 switch chassis.
- If you are mounting a switch in a rack or cabinet with other equipment, or if you are placing it on the desktop or floor near other equipment, ensure that the exhaust from other equipment does not blow into the intake vents of the chassis.
- Leave at least 24 in. (61 cm) both in front of and behind the switch. For service personnel to remove and install hardware components, you must leave adequate space at the front and back of the switch. NEBS GR-63 recommends that you allow at least 30 in. (76.2 cm) in front of the rack or cabinet and 24 in. (61 cm) behind the rack or cabinet.

**Figure 2: Airflow Through the EX 3200 Switch Chassis**



**Figure 3: Airflow Through the EX 4200 Switch Chassis**



- Related Topics**
- Rack Requirements and Specifications for an EX-series Switch
  - Rack-Mounting Requirements and Warnings
  - Cabinet Requirements and Specifications for an EX-series Switch

- Cooling System in an EX 3200 Switch
- Cooling System in an EX 4200 Switch

