

Installing an Uplink Module in an EX-series Switch

EX-series switches have a field-replaceable unit (FRU) uplink module that can be installed on the front panel.

Ensure you have the following tools and parts available to install an uplink module in an EX-series switch chassis:

- Electrostatic discharge (ESD) grounding strap
- Slotted or flat tipped screwdriver (provided in the uplink module kit)

Ensure you understand how to prevent ESD damage (see [Preventing Electrostatic Discharge Damage \[topic ref to external file\]](#)).

To install an uplink module in an EX-series switch (see Figure 1 on page 1):

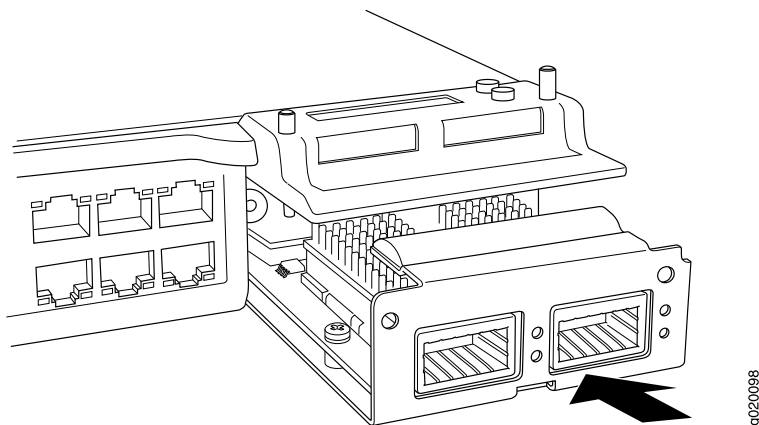
1. Attach an electrostatic discharge (ESD) grounding strap to your bare wrist, and connect the strap to the ESD point on the chassis.
2. Loosen the captive screws that secure the flip-up door covering the empty slot on the front panel of the chassis by using the screwdriver provided with the uplink module kit, flip the door upward, and remove the blanking panel.
3. Remove the uplink module from its bag. Take care not to touch module components, pins, leads, or solder connections.
4. Using both hands, place the module in the slot and slide it in until it is fully seated.



CAUTION: Ensure the uplink module is aligned correctly; misalignment might bend the pins and make the uplink module unusable.

5. Flip the door down and tighten the screws by using the screwdriver provided with the uplink module kit.

Figure 1: Installing an Uplink Module in an EX-series Switch



- Related Topics**
- Removing an Uplink Module from an EX-series Switch [topic ref to external file]
 - Field-Replaceable Units in EX-series Switches [topic ref to external file]
 - Preventing Electrostatic Discharge Damage [topic ref to external file]