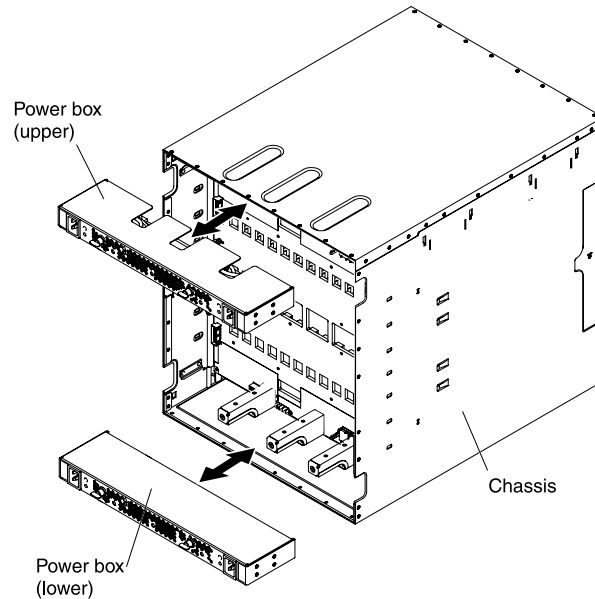


Removing a JCS 1200 Power Box

Figure 1 on page 1 shows how to remove and install a power box.

Figure 1: Removing and Installing a JCS 1200 Power Box



To remove a power box (see Figure 1 on page 1):

1. Attach an electrostatic discharge (ESD) grounding strap to your bare wrist and connect the strap to one of the ESD points on the chassis.
2. Power off any Routing Engines in the JCS 1200 platform (Powering Off a JCS 1200 Routing Engine).
3. Disconnect the power from the JCS 1200 platform (see Disconnecting Power from the JCS 1200 Platform).
4. Remove the fan shuttle from the JCS 1200 platform (see Removing a JCS 1200 Fan Shuttle).
5. Remove the five Phillips-head screws that attach the power box to the chassis.
6. Loosen the two captive thumbscrews on the power box by turning them counter-clockwise approximately eight turns (see Figure 2 on page 2 and Figure 3 on page 2).

Figure 2: Loosening Thumbscrews on the Upper Power Box

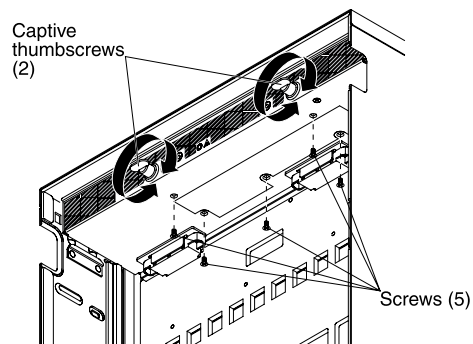
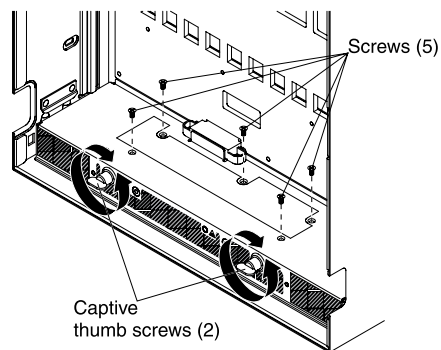


Figure 3: Loosening Thumbscrews on the Lower Power Box



7. Slide the power box away from the JCS 1200 platform.
8. If you are instructed to return the power box, follow all packaging instructions and use any packaging materials for shipping that are supplied to you.

Related Topics ■ Preventing Electrostatic Discharge Damage to the JCS 1200 Platform