

Replacing a JCS 1200 Alarm Panel Module or Module Filler

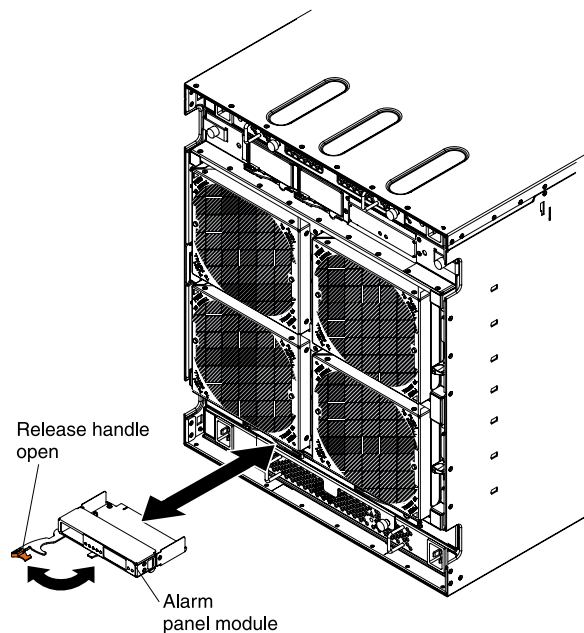
Topics include:

- Removing a JCS 1200 Alarm Panel Module or Module Filler on page 1
- Installing a JCS 1200 Alarm Panel Module or Module Filler on page 1

Removing a JCS 1200 Alarm Panel Module or Module Filler

Figure 1 on page 1 shows how to remove and install an alarm panel module.

Figure 1: Removing and Installing a JCS 1200 Alarm Panel Module



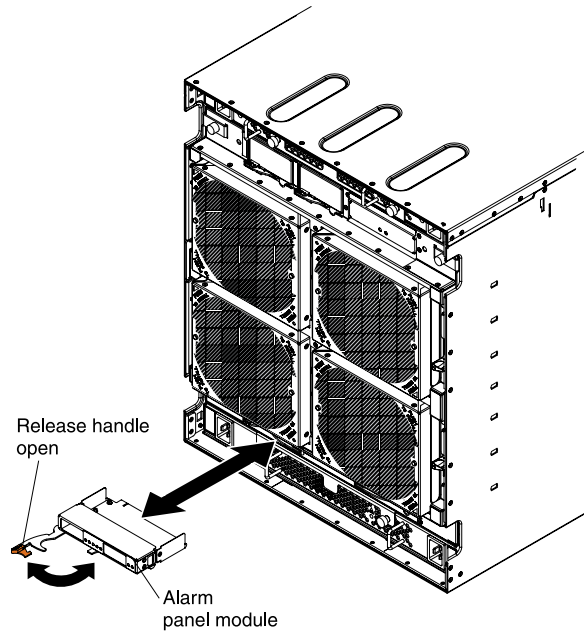
To remove an alarm panel module or module filler (see Figure 1 on page 1):

1. Attach an electrostatic discharge (ESD) grounding strap to your bare wrist and connect the strap to one of the ESD points on the chassis.
2. Pull the release handle to the open position. The module moves out of the bay approximately 0.25 in. (0.6 cm).
3. Slide the alarm panel module out of the bay.

Installing a JCS 1200 Alarm Panel Module or Module Filler

Figure 2 on page 2 shows how to remove and install an alarm panel module.

Figure 2: Removing and Installing a JCS 1200 Alarm Panel Module



To install an alarm panel module or module filler (see Figure 2 on page 2):

1. Attach an electrostatic discharge (ESD) grounding strap to your bare wrist and connect the strap to one of the ESD points on the chassis.
2. Make sure that the release handle on the alarm panel module is in the open position.
3. Slide the alarm panel module into the alarm panel module bay until it stops.
4. Push the release handle to the closed position.

- Related Topics**
- Preventing Electrostatic Discharge Damage to the JCS 1200 Platform
 - JCS 1200 Alarm Panel Module Description
 - Locating the JCS 1200 Alarm Panel Serial Number