

Removing Components from the MX480 Chassis Before Installing It Without a Lift

If you cannot use a mechanical lift to install the router (the preferred method), you can install it manually. To make the router light enough to install manually, you first remove most components from the chassis. The procedures for removing components from the chassis are for initial installation only, and assume that you have not connected power cables to the router. The following procedures describe how to remove components from the chassis, first from the rear and then from the front:

1. Removing the Power Supplies Before Installing the MX480 Router Without a Lift on page 1
2. Removing the Fan Tray Before Installing the MX480 Router Without a Lift on page 2
3. Removing the SCBs Before Installing the MX480 Router Without a Lift on page 3
4. Removing the DPCs Before Installing the MX480 Router Without a Lift on page 4
5. Removing the FPCs Before Installing the MX480 Router Without a Lift on page 5

Removing the Power Supplies Before Installing the MX480 Router Without a Lift

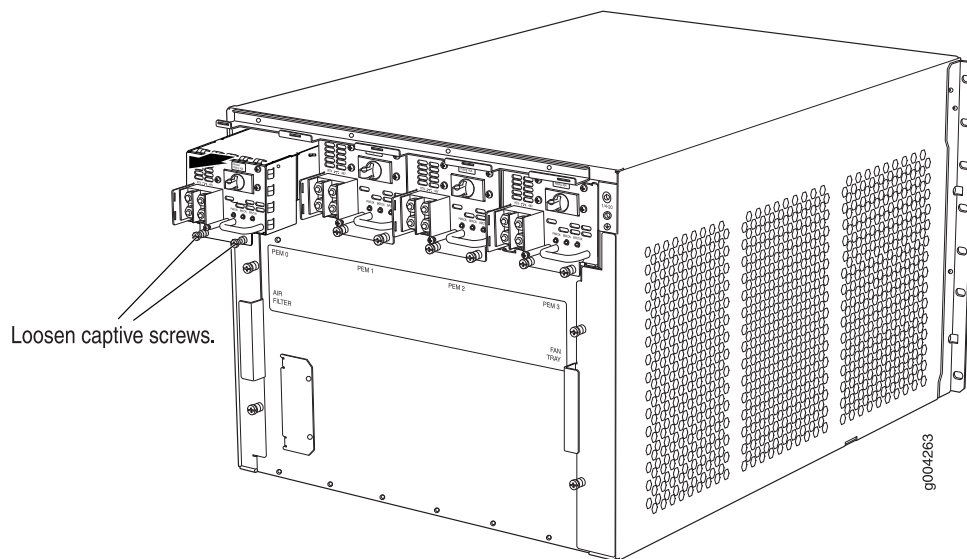
Remove the leftmost power supply first and then work your way to the right. To remove the AC or DC power supplies for each power supply (see Figure 1):

1. Attach an electrostatic discharge (ESD) grounding strap to your bare wrist, and connect the strap to one of the ESD points on the chassis.
2. On an AC-powered router, switch the AC input switch on each power supply to the off (O) position. On a DC-powered router, Move the DC circuit breaker on each DC power supply to the off (O) position.

We recommend this even though the power supplies are not connected to power sources.

3. Loosen the captive screws on the bottom edge of the power supply faceplate.
4. Pull the power supply straight out of the chassis.

Figure 1: Removing a Power Supply Before Installing the Router

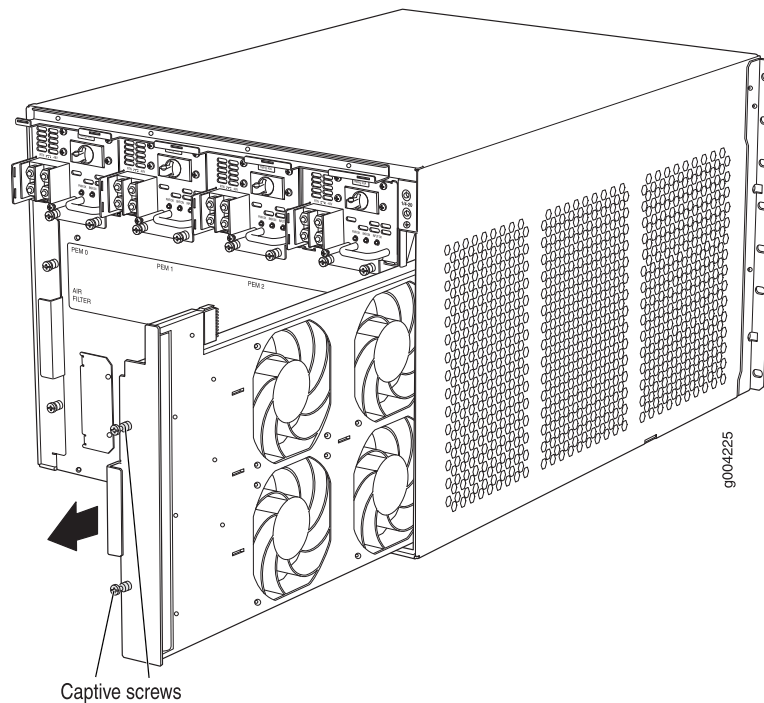


Removing the Fan Tray Before Installing the MX480 Router Without a Lift

To remove the fan tray (see Figure 2):

1. Attach an electrostatic discharge (ESD) grounding strap to your bare wrist, and connect the strap to an approved site ESD grounding point. See the instructions for your site.
2. Loosen the captive screws on the fan tray faceplate.
3. Grasp the fan tray handle, and pull it out approximately 1 to 3 inches.
4. Press the latch located on the inside of the fan tray to release it from the chassis.
5. Place one hand under the fan tray to support it, and pull the fan tray completely out of the chassis.

Figure 2: Removing the Fan Tray



Removing the SCBs Before Installing the MX480 Router Without a Lift

To remove the SCBs (see Figure 3):

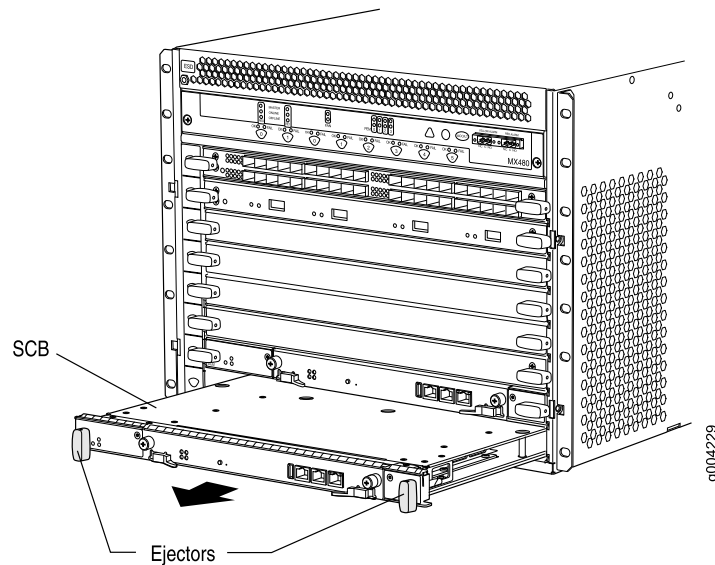
1. Place an electrostatic bag or antistatic mat on a flat, stable surface.
2. Attach an electrostatic discharge (ESD) grounding strap to your bare wrist, and connect the strap to an approved site ESD grounding point. See the instructions for your site.
3. Rotate the ejector handles simultaneously counterclockwise to unseat the SCB.
4. Grasp the ejector handles, and slide the SCB about halfway out of the chassis.
5. Place one hand underneath the SCB to support it, and slide it completely out of the chassis. Place it on the antistatic mat.



CAUTION: Do not stack hardware components on one another after you remove them. Place each component on an antistatic mat resting on a stable, flat surface.

6. Repeat the procedure for each SCB.

Figure 3: Removing an SCB



Removing the DPCs Before Installing the MX480 Router Without a Lift

To remove a DPC (see Figure 4):

1. Have ready an antistatic mat for the DPC. Also have ready rubber safety caps for each DPC using an optical interface on the DPC that you are removing.
2. Attach an electrostatic discharge (ESD) grounding strap to your bare wrist, and connect the strap to an approved site ESD grounding point. See the instructions for your site.
3. Simultaneously turn both the ejector handles counterclockwise to unseat the DPC.
4. Grasp the handles, and slide the DPC straight out of the card cage halfway.
5. Place one hand around the front of the DPC and the other hand under it to support it. Slide the DPC completely out of the chassis, and place it on the antistatic mat or in the electrostatic bag.

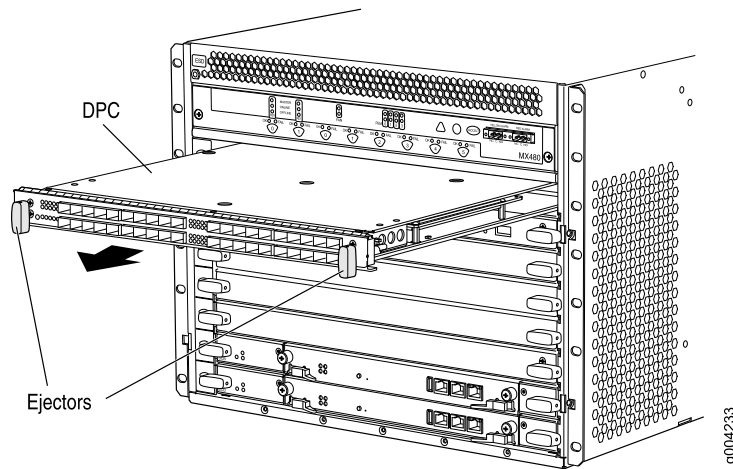


CAUTION: The weight of the DPC is concentrated in the back end. Be prepared to accept the full weight—up to 13.1 lb (5.9 kg)—as you slide the DPC out of the chassis.

When the DPC is out of the chassis, do not hold it by the ejector handles, bus bars, or edge connectors. They cannot support its weight.

Do not stack DPC on top of one another after removal. Place each one individually in an electrostatic bag or on its own antistatic mat on a flat, stable surface.

Figure 4: Removing a DPC



Removing the FPCs Before Installing the MX480 Router Without a Lift

To remove an FPC (see Figure 5):

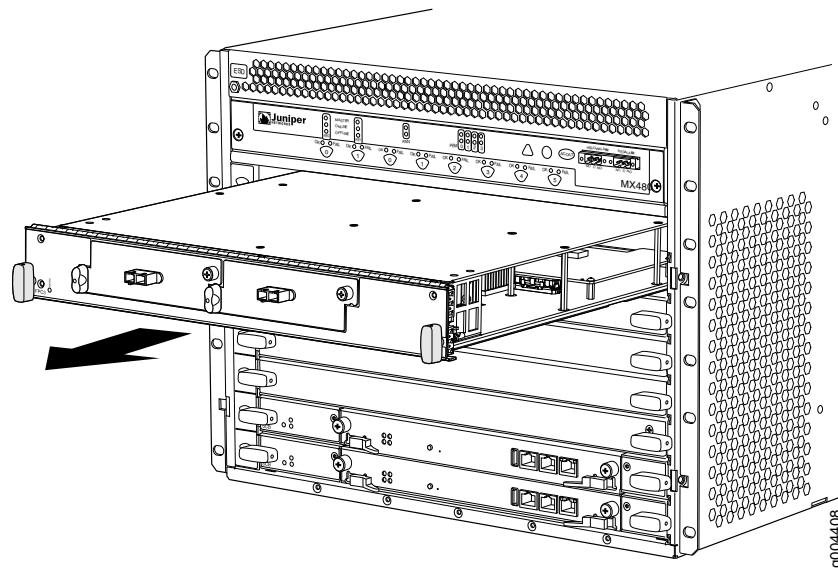
1. Have ready an antistatic mat for the FPC. Also have ready rubber safety caps for each PIC using an optical interface on the PIC that you are removing.
2. Attach an electrostatic discharge (ESD) grounding strap to your bare wrist, and connect the strap to one of the ESD points on the chassis.
3. Simultaneously turn both the ejector handles counterclockwise to unseat the FPC.
4. Grasp the handles, and slide the FPC straight out of the card cage halfway.
5. Place one hand around the front of the FPC and the other hand under it to support it. Slide the FPC completely out of the chassis, and place it on the antistatic mat or in the electrostatic bag.



CAUTION: The weight of the FPC is concentrated in the back end. Be prepared to accept the full weight—up to 18 lb (8.2 kg)—as you slide the FPC out of the chassis.

When the FPC is out of the chassis, do not hold it by the ejector handles, bus bars, or edge connectors. They cannot support its weight.

Figure 5: Removing an FPC



- Related Topics**
- Preventing Electrostatic Discharge Damage to an M Series, MX Series, or T Series Router
 - Tools Required to Install the MX480 Router Without a Mechanical Lift
 - Installing the MX480 Chassis in the Rack Manually
 - Reinstalling Components in the MX480 Chassis After Installing It Without a Lift

Published: 2010-01-22