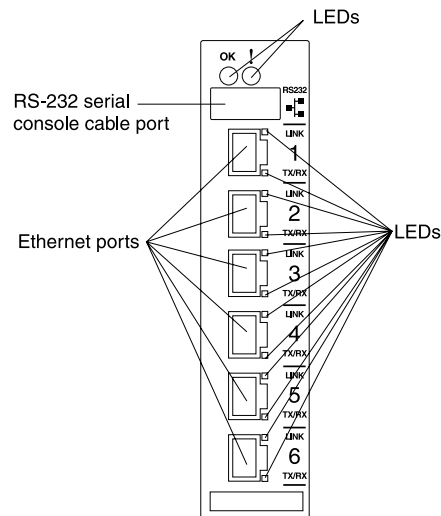


JCS1200 Switch Module Components and LEDs

Figure 1 shows the components on the switch module.

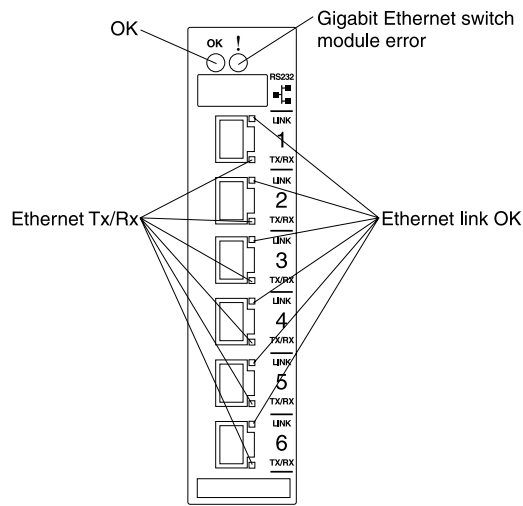
Figure 1: JCS1200 Switch Module Components



The switch module consists of the following components:

- One RS-232 console port that provides an additional means to install software and configure the switch module. This USB-style connector enables connection of a special serial cable to the switch module.
- Six external copper 1000Base-T Ethernet ports for 10/100/1000 Mbps connections to the T Series router. These ports are identified as EXT1, EXT2, EXT3, EXT4, EXT5, and EXT6 in the switch configuration menus and are labeled 1 through 6 (from top to bottom) on the switch module. You can use RJ-45 ports labeled 1 through 3 to connect up to three T Series routers running JUNOS Release 9.2 and later to the JCS1200 platform. The RJ-45 ports labeled 4 and 5 on the switch module are reserved for future use. You can use the RJ-45 port labeled 6 to manage the switch module.
- Eight LEDs that indicate the status of the switch module and the network (see Figure 2).

Figure 2: JCS1200 Switch Module LEDs



The functions of the switch module LEDs are described in Table 1.

Table 1: JCS1200 Switch Module LEDs

Name	Color	State	Description
OK	Green	On steadily	The switch module has passed the power-on self-test (POST) with no critical faults and is operational.
Gigabit Ethernet switch module error (fault) (!)	Amber	On steadily	The switch module has failed the POST or detected an operational fault. NOTE: When the Gigabit Ethernet switch module error LED is lit, the system-error LED on the alarm panel is also lit
Ethernet link (LINK)	Green	On steadily	There is a connection (or link) to a device using that connector.
Ethernet activity (Tx/Rx)	Green	Flashing NOTE: The flash frequency is proportional to the amount of traffic on the network link.	Data is being transmitted or received (that is, activity is occurring) between that port and another device on the network link.

- Related Topics**
- JCS1200 Switch Module Description
 - Replacing a JCS1200 Switch Module Filler Tray
 - Replacing a JCS1200 Switch Module Interposer

- Replacing a JCS1200 Switch Module or Module Filler
- Locating the JCS1200 Switch Module Serial Number

Published: 2010-01-25