

Statement of Volatility for SRX1400 Services Gateway

This document helps you to identify the non-volatile (NV) memory devices where the user data resides on the SRX1400 Services Gateway.

It does not address the destruction procedures of the non-volatile (NV) memory devices. As all the NV memory devices used in the SRX product family are commercial off-the-shelf (COTS) components, directions for destruction of those components are left to the governing Department, Agency, or Office.

The SRX1400 Services Gateway hardware components that have the non-volatile memory devices are listed below.

Chassis, Including Midplane (SRX1400-CHAS)

Non-Volatile Memory Device	Description
ID EEPROM	Only used to store FRU identification data. No user data is stored.
Anti-counterfeit security chip's internal EEPROM	Stores signature of the security chip. No user data is stored.

Routing Engine and Control Board

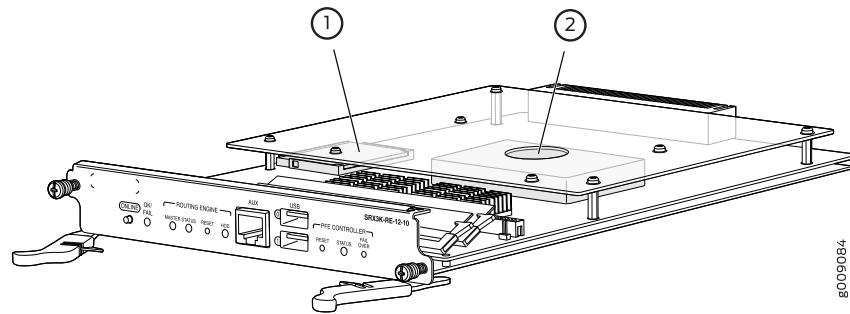
Part numbers of RE:

- SRX1K-RE-12-10
- SRX3K-RE-12-10

Non-Volatile Memory Device	Description
ID EEPROMs	Only used to store FRU identification data. No user data is stored.
Anti-counterfeit security chip's internal EEPROM	Stores signature of the security chip. No user data is stored.
Boot flash for Routing Engine Processor (REP)	Part of the REP complex; stores the boot loader image for the REP. No user data is stored.
Boot flash for Control Plane Processor (CPP)	Part of the CPP complex; stores the boot ROM Monitor image for the CPP. No user data is stored.
Compact Flash (CF)	Used to store software (Junos) image and user configuration information
Hard drive / Solid State Drive (SSD)	Used to backup the software (Junos) image and user configuration information (snapshot of CF), message log files and other temporary files used by various daemons.
SPI EEPROM attached to I2CS CPLD	Used to store power button state information only. No user data stored in this device.

Figure 1 below shows the location of the Compact Flash Card (CFC) and Solid State Drive (SSD) on the SRX1K-RE-12-10 Routing Engine.

Figure 1: Location of CFC and SSD on a Routing Engine



1— Compact Flash Card (CFC)	2— Solid State Drive (SSD)
-----------------------------	----------------------------



NOTE: In addition, the RECB has two USB ports, into which the user can install an external USB disk device to store core dumps, system configuration, software images, etc. The system does not store any user data onto storage devices attached to these ports.

System I/O card (SYSIOC)

SYSIOC part numbers:

- SRX1K-SYSIO-GE
- SRX1K-SYSIO-XGE

Non-Volatile Memory Device	Description
ID EEPROM	Only used to store FRU identification data. No user data is stored.
ID EEPROM	PHY configuration. No user data is stored.
ID EEPROM	Only used to store Power Button states. No user data is stored.
FLASH memory of i2CS FPGA	No user data is stored.
Configuration EEPROM for the FPGA	This EEPROM only stores the configuration bitstream for the FPGA. No user data is stored.

CFM Cards: Services Processing Card (SPC), Network Processing Card (NPC), Input-Output Card (IOC), Network Processing Input-Output Card (NP-IOC), and Network & Service Processing Card (NP-SPC)

Part numbers of SPC, NPC, IOC, NP-IOC, and NP-SPC

- SPC
 - SRX3K-SPC-1-10-40
- NPC
 - SRX3K-NPC
- IOC
 - SRX3K-16GE-TX
 - SRX3K-16GE-SFP
 - SRX3K-2XGE-XFP
- NP-IOC
 - SRX1K3K-NP-2XGE-SFPP
- NP-SPC
 - SRX1K-NPC-SPC-1-10-40

Non-Volatile Memory Device	Description
ID EEPROM	Only used to store FRU identification data. No user data is stored.
Anti-counterfeit security chip's internal EEPROM	Stores signature of the security chip. No user data is stored.
SPU (Services Processing Unit) boot flash (SPC only)	Stores boot ROM Monitor image for the SPU. No user data stored here.
Configuration flash memory for the data-path FPGA	This flash only stores the configuration bitstream for the FPGA. No user data is stored.
Configuration EEPROMs for the PEX8508 PCI-E switch and PEX8112 PCIe-to-PCI bridge	These EEPROMs are provided in the design but are not used.

Fan Control Card (SRX1400-FAN)

Non-Volatile Memory Device	Description
ID EEPROM	Only stores FRU identification data. No user data is stored.

Power Supplies

Part numbers of Power Supplies:

- SRX1K-PWR-AC
- SRX1K-PWR-DC

Non-Volatile Memory Device	Description
Internal EEPROM	Used to store FRU identification data. No user data is stored.

Juniper Networks certifies that all the other components of the SRX1400 Services Gateways are volatile, so they do not store any data/information after the services gateway is switched off.

**Related
Documentation**

- For more information, please refer to the topics listed below from the SRX1400 Services Gateway Hardware Guide:
 - [Routing Engines SRX3K-RE-12-10 and SRX1K-RE-12-10](#)

Modified: 2017-05-15