

Chapter 29

BGP Configuration Guidelines

To configure Border Gateway Protocol (BGP), you can include statements at the [edit protocols bgp] hierarchy level in the configuration (for routing instances, include the statement at the [edit routing-instances *routing-instance-name* routing-options] hierarchy level). Three portions of the `bgp` statement—the portions in which you configure global BGP, group-specific, and peer-specific options—contain many of the same statements. The following simplified version of the `bgp` statement omits these repeated statements to present a high-level, readable overview:

```
protocols {
  bgp {
    numerous global BGP statements
    group group-name {
      peer-as autonomous-system;
      type type;
      allow [network/mask-length ];
      numerous group-specific statements
      neighbor address {
        numerous peer-specific statements
      }
    }
  }
}
```

For a list of global BGP statements, see “Define BGP Global Properties” on page 377. For a list of group-specific statements, see “Define Group Properties” on page 381. For a list of peer-specific statements, see “Define Peer Properties” on page 383.



Caution

Changing configuration statements that affect BGP peerings, such as enabling or disabling `remove-private` or renaming a BGP group, resets the BGP sessions. Changes that affect BGP peerings should only be made when resetting a BGP session is acceptable.

Many of the global BGP, group-specific, and peer-specific statements are identical. For statements that you can configure at more than one level in the hierarchy, the more-specific statement overrides the less-specific statement. That is, a group-specific statement overrides a global BGP statement, and a peer-specific statement overrides a global BGP or group-specific statement.

By default, BGP is disabled.

This chapter describes the following tasks for configuring BGP:

- Minimum BGP Configuration on page 375
- Enable BGP on page 376
- Modify the Hold-Time Value on page 388
- Configure Graceful Restart on page 388
- Configure Authentication on page 389
- Apply IPSec Security Association on page 389
- Open a Peer Connection Passively on page 390
- Configure the Local IP Address on page 390
- Configure the Multiple Exit Discriminator Metric on page 391
- Control the Aggregator Path Attribute on page 394
- Choose the Protocol Used to Determine the Next Hop on page 394
- Configure an EBGp Multihop Session on page 395
- Configure the BGP Local Preference on page 395
- Control Route Preference on page 396
- Configure Routing Table Path Selection on page 397
- Configure BGP To Select Multiple BGP Paths on page 398
- Configure a Local AS on page 399
- Remove Private AS Numbers from AS Paths on page 402
- Configure Route Reflection on page 402
- Enable Outbound Route Filtering on page 408
- Enable Route Flap Damping on page 408
- Enable Multiprotocol BGP on page 409
- Configure BGP Routing Policy on page 412
- Configure EBGp Peering using IPv6 Link-local Address on page 415
- Configure IPv6 BGP Routes over IPv4 Transport on page 416
- Configure BGP to Log System Log Messages on page 417
- Describe BGP Router Configuration on page 417
- Block Non-Peer TCP Connection Attempts on page 418

Apply BGP Export Policy to VRF Routes on page 418

Enable Next-hop Reachability Information on page 418

Trace BGP Protocol Traffic on page 418

Minimum BGP Configuration

For BGP to run on the router, you must define the local autonomous system (AS) number, configure at least one group, and include information about at least one peer in the group (the peer's IP address and autonomous system [AS] number). There are several possible ways you can configure this information; a few are shown in this section. For routing instances, include the statement at the [edit routing-instances *routing-instance-name* routing-options] hierarchy level.

Configure a BGP group, specify the group type, and configure an explicit peer:

```
[edit]
routing-options {
  autonomous-system autonomous-system;
}
protocols {
  bgp {
    group group-name {
      peer-as autonomous-system;
      type type;
      neighbor address;
    }
  }
}
```

Configure a BGP group and type and allow all BGP systems to be peers:

```
[edit]
routing-options {
  autonomous-system autonomous-system;
}
protocols {
  bgp {
    group group-name {
      type type;
      peer-as autonomous-system;
      allow all;
    }
  }
}
```



Note

When you configure BGP on an interface, you must also include the family inet statement at the [edit interfaces *interface-name* unit *logical-unit-number*] hierarchy level. For more information about the family inet statement, see the *JUNOS Internet Software Configuration Guide: Network Interfaces and Class of Service*.

Enable BGP

To enable BGP on the router, you do the following:

- Specify the Local Router's AS Number on page 376 (required)
- Define an AS Confederation and Its Members on page 376 (optional)
- Assign a BGP Identifier on page 377 (optional)
- Define BGP Global Properties on page 377 (optional)
- Define BGP Groups and Peers on page 378 (required)

Specify the Local Router's AS Number

Each router running BGP must be configured with its AS number. This number is included in the local AS number field in BGP open messages, which are sent between BGP peers to establish a connection.

To specify an AS number, include the `autonomous-system` statement at the [edit routing-options] hierarchy level (for routing instances, include the statement at the [edit routing-instances *routing-instance-name* routing-options] hierarchy level):

```
autonomous-system autonomous-system <loops number>;
```

For more information about configuring the AS number, see “Configure the AS Number” on page 77.

Define an AS Confederation and Its Members

To enable the local system to participate as a member of an AS confederation, you must define the AS confederation identifier and specify the AS numbers that are members of the confederation. To do this, include the `confederation` statement at the [edit routing-options] hierarchy level (for routing instances, include the statement at the [edit routing-instances *routing-instance-name* routing-options] hierarchy level):

```
[edit routing-options]
confederation confederation-autonomous-system members [ autonomous-systems ];
```

For more information about configuring confederations, see “Configure AS Confederation Members” on page 78.

Assign a BGP Identifier

Each router running BGP must have a BGP identifier. This identifier is included in the BGP identifier field of open messages, which are sent between two BGP peers when establishing a BGP session.

Explicitly assigning a BGP identifier is optional. If you do not assign one, the IP address of the first interface encountered in the router is used.

To assign a BGP identifier explicitly, include the `router-id` statement at the [edit routing-options] hierarchy level (for routing instances, include the statement at the [edit routing-instances *routing-instance-name* routing-options] hierarchy level):

```
[edit routing-options]
router-id address;
```

For more information, see “Configure the Router Identifier” on page 78.

Define BGP Global Properties

To define BGP global properties, which apply to all BGP groups and peers, include one or more of the following statements at the [edit protocols bgp] hierarchy level (for routing instances, include the statement at the [edit routing-instances *routing-instance-name* protocols bgp] hierarchy level). These statements are explained in separate sections.

```
[edit protocols bgp]
advertise-inactive;
authentication-key key;
cluster cluster-identifier;
damping;
description text-description;
disable;
family (inet | inet6 | inet-vpn | inet6-vpn | I2-vpn) {
  (any | multicast | unicast) {
    prefix-limit {
      maximum number;
      teardown <percentage> <idle-timeout (forever | time-in-minutes)>;
    }
    rib-group group-name;
  }
  labeled-unicast {
    prefix-limit {
      maximum number;
      teardown <percentage> <idle-timeout (forever | time-in-minutes)>;
    }
    resolve-vpn;
    rib-group group-name;
  }
}
export [ policy-names ];
graceful-restart {
  disable;
  restart-time seconds;
  stale-routes-time seconds;
}
hold-time seconds;
import [ policy-names ];
```

```

include-mp-next-hop;
ipsec-sa ipsec-sa;
keep (all | none);
local-address address;
local-as autonomous-system <private>;
local-preference local-preference;
log-updown;
metric-out (metric | minimum-igp <offset> | igp <offset>);
multihop <ttl-value>;
no-aggregator-id;
no-client-reflect;
out-delay seconds;
passive;
path-selection (cisco-non-deterministic);
peer-as autonomous-system;
preference preference;
remove-private;
traceoptions {
    file name <replace> <size size> <files number> <no-stamp>
        <(world-readable | no-world-readable)>;
    flag flag <flag-modifier> <disable>;
}
vpn-apply-export;

```

Define BGP Groups and Peers

A BGP system must know which routers are its peers (neighbors). You define the peer relationships explicitly by configuring the neighboring routers that are the peers of the local BGP system. After peer relationships have been established, the BGP peers exchange update messages to advertise network reachability information.

You arrange BGP routers into groups of peers. Different peer groups must have different group types, AS numbers, or router reflector cluster identifiers.

Each group must contain at least one peer.

To define BGP groups and peers, you can do the following:

- Define a Group with Static Peers on page 379

- Define a Group with Dynamic Peers on page 380

- Define the Group Type on page 380

- Specify the Peer's AS Number on page 381

- Define Group Properties on page 381

- Define Peer Properties on page 383

For examples of enabling BGP, see page 384.

Define a Group with Static Peers

To define a BGP group that recognizes only the specified BGP systems as peers, statically configure all the system's peers by including one or more neighbor statements at the [edit protocols bgp group *group-name*] hierarchy level (for routing instances, include the statements at the [edit routing-instances *routing-instance-name* protocols bgp group *group-name*] hierarchy level). The peers on at least one side of each BGP connection must be configured statically. The peer neighbor's address can be either an IPv6 or IPv4 address.

```
[edit protocols bgp]
group group-name {
  peer-as autonomous-system;
  type type;
  neighbor address;          # One "neighbor" statement for each peer
}
```

As the number of external BGP (EBGP) groups increases, the ability to support a large number of BGP sessions may become a scaling issue. The preferred way to configure a large number of BGP neighbors is to configure a few groups consisting of multiple neighbors per group. Supporting fewer EBGP groups generally scales better than supporting a large number of EBGP groups. This becomes more evident in the case of hundreds of EBGP groups when compared with a few EBGP groups with multiple peers in each group. The following examples illustrate this point.

Example: Define a Large Number of Group with Static Peers

Enable BGP and define three EBGP groups that recognize BGP systems in AS 56, AS 57, and AS 58 as peers. For routing instances, include the statement at the [edit routing-instances *routing-instance-name* routing-options] hierarchy level and the [edit routing-instances *routing-instance-name* protocols bgp group *group-name*] hierarchy level.

```
[edit]
routing-options {
  autonomous-system 23;
}
protocols {
  bgp {
    group G1 {
      type external;
      peer-as 56;
      neighbor 10.0.0.1;
    }
    group G2 {
      type external;
      peer-as 57;
      neighbor 10.0.10.1;
    }
    group G3 {
      type external;
      peer-as 58;
      neighbor 10.0.20.1;
    }
  }
}
```

Example: Define a Small Number of Groups with Static Peers for Better Scalability

For improved scalability, configure only one EBGP group consisting of the three BGP neighbors. For routing instances, include the statement at the [edit routing-instances *routing-instance-name* routing-options) hierarchy level and the [edit routing-instances *routing-instance-name* protocols bgp group *group-name*] hierarchy level.

```
[edit]
routing-options {
  autonomous-system 23;
}
protocols {
  bgp {
    group G {
      type external;
      neighbor 10.0.0.1{
        peer-as 56;
      }
      neighbor 10.0.10.1{
        peer-as 57;
      }
      neighbor 10.0.20.1{
        peer-as 58;
      }
    }
  }
}
```

Define a Group with Dynamic Peers

To define a BGP group in which the local system's peers are dynamic and change over time, include the allow statement at the [edit protocols bgp group *group-name*] hierarchy level (for routing instances, include the statements at the [edit routing-instances *routing-instance-name* protocols bgp group *group-name*] hierarchy level). To recognize all BGP systems as peers, include the allow all statement. To recognize BGP systems within specified address ranges, specify a set of addresses in the allow *network/mask-length* statement. These addresses can be IPv6 or IPv4 addresses.

```
[edit protocols bgp]
group group-name {
  peer-as autonomous-system;
  type type;
  (allow [ network/mask-length... ] | allow all);
}
```

Define the Group Type

When configuring a BGP group, you can indicate whether the group is an internal BGP (IBGP) group or an external BGP (EBGP) group. All peers in an IBGP group are in the same AS, while peers in an EBGp group are in different ASs and normally share a subnet.

To configure an IBGP group, which allows intra-AS BGP routing, include the following form of the type statement at the [edit protocols bgp group *group-name*] hierarchy level (for routing instances, include the statement at the [edit routing-instances *routing-instance-name* protocols bgp group *group-name*] hierarchy level):

```
[edit protocols bgp group group-name]
type internal;
```

To configure an EBGP group, which allows inter-AS BGP routing, include the following form of the type statement at the [edit protocols bgp group *group-name*] hierarchy level:

```
[edit protocols bgp group group-name]
type external;
```

Specify the Peer's AS Number

When configuring a peer, you must specify the peer system's AS. To do this, include the peer-as statement:

```
peer-as autonomous-system;
```

You can configure the peer's AS globally for all BGP groups (at the [edit protocols bgp] hierarchy level), for all peers in a group (at the [edit protocols bgp group *group-name*] level), or for an individual peer (at the [edit protocols bgp group *group-name* neighbor *address*] level). For routing instances, include the statements at the [edit routing-instances *routing-instance-name* protocols bgp] and [edit routing-instances *routing-instance-name* protocols bgp group *group-name* neighbor *address*] hierarchy level.

For EBGP, the peer is in another AS, so the AS number you specify in the peer-as statement must be different from the local router's AS number, which you specify in the autonomous-system statement (at the [edit routing-options] hierarchy level). For IBGP, the peer is in the same AS, so the two AS numbers that you specify in the autonomous-system and peer-as statements must be the same.

Define Group Properties

To define group-specific properties, include one or more of the following statements at the [edit protocols bgp group *group-name*] hierarchy level (for routing instances, include the statements at the [edit routing-instances *routing-instance-name* protocols bgp group *group-name*] hierarchy level). For more information, see "Summary of BGP Configuration Statements" on page 421.

```
[edit protocols bgp group group-name]
advertise-inactive;
allow [ network/mask-length ];
as-override;
authentication-key key;
cluster cluster-identifier;
damping;
description text-description;
export [ policy-names ];
```

```

family (inet | inet6 | inet-vpn | inet6-vpn | l2-vpn) {
  (any | multicast | unicast) {
    prefix-limit {
      maximum number;
      teardown <percentage> <idle-timeout (forever | time-in-minutes)>;
    }
    rib-group group-name;
  }
  labeled-unicast {
    prefix-limit {
      maximum number;
      teardown <percentage> <idle-timeout (forever | time-in-minutes)>;
    }
    resolve-vpn;
    rib-group group-name;
  }
}
graceful-restart {
  disable;
  restart-time seconds;
  stale-routes-time seconds;
}
hold-time seconds;
import [policy-names];
ipsec-sa ipsec-sa;
keep (all | none);
local-address address;
local-as autonomous-system <private>;
local-preference local-preference;
log-updown;
metric-out (metric | minimum-igp <offset> | igp <offset>);
multihop <ttl-value>;
multipath;
neighbor address {
  peer-specific options;
}
no-aggregator-id;
no-client-reflect;
out-delay seconds;
outbound-route-filtering {
  extended-community {
    accept;
    no-accept;
    vrf-filter;
  }
}
passive;
peer-as autonomous-system;
preference preference;
protocol protocol;
remove-private;
traceoptions {
  file name <replace> <size size> <files number> <no-stamp>
    <(world-readable | no-world-readable)>;
  flag flag <flag-modifier> <disable>;
}
type type;
vpn-apply-export;

```

Define Peer Properties

When you use the `neighbor` statement to configure BGP peers statically, you also can define peer-specific properties at the `[edit protocols bgp group group-name neighbor address]` hierarchy level (for routing instances, include the statements at the `[edit routing-instances routing-instance-name protocols bgp group group-name neighbor address]` hierarchy level). For more information, see “Summary of BGP Configuration Statements” on page 421.

```
[edit protocols bgp group group-name neighbor address]
advertise-inactive;
as-override;
authentication-key key;
cluster cluster-identifier;
damping;
description text-description;
export [ policy-names ];
family (inet | inet6 | inet-vpn | inet6-vpn | I2-vpn) {
  (any | multicast | unicast) {
    prefix-limit {
      maximum number;
      teardown <percentage> <idle-timeout (forever | time-in-minutes)>;
    }
    rib-group group-name;
  }
  labeled-unicast {
    prefix-limit {
      maximum number;
      teardown <percentage> <idle-timeout (forever | time-in-minutes)>;
    }
    resolve-vpn;
    rib-group group-name;
  }
}
graceful-restart {
  disable;
  restart-time seconds;
  stale-routes-time seconds;
}
hold-time seconds;
import [ policy-names ];
ipsec-sa ipsec-sa;
keep (all | none);
local-address address;
local-as autonomous-system <private>;
local-interface interface-name;
local-preference preference;
log-updown;
metric-out (metric | minimum-igp <offset> | igp <offset>);
multihop <ttl-value>;
multipath;
no-aggregator-id;
no-client-reflect;
out-delay seconds;
```

```

outbound-route-filtering {
  extended-community {
    accept;
    no-accept;
    vrf-filter;
  }
}
passive;
peer-as autonomous-system;
preference preference;
traceoptions {
  file name <replace> <size size> <files number> <no-stamp>
    <(world-readable | no-world-readable)>;
  flag flag <flag-modifier> <disable>;
}
vpn-apply-export;

```

Examples: Enable BGP

Enable BGP and define an EBGp group that recognizes all BGP systems in AS 56 as peers. For routing instances, include the statement at the [edit routing-instances *routing-instance-name* routing-options] hierarchy level and the [edit routing-instances *routing-instance-name* protocols bgp group *group-name*] hierarchy level.

```

[edit]
routing-options {
  autonomous-system 23;
}
protocols {
  bgp {
    group 23 {
      type external;
      peer-as 56;
      allow 0.0.0.0/0;
    }
  }
}

```

Enable BGP and define an IBGP group that recognizes only the specified addresses as BGP peers. For routing instances, include the statement at the [edit routing-instances *routing-instance-name* routing-options] hierarchy level and the [edit routing-instances *routing-instance-name* protocols bgp group *group-name*] hierarchy level.

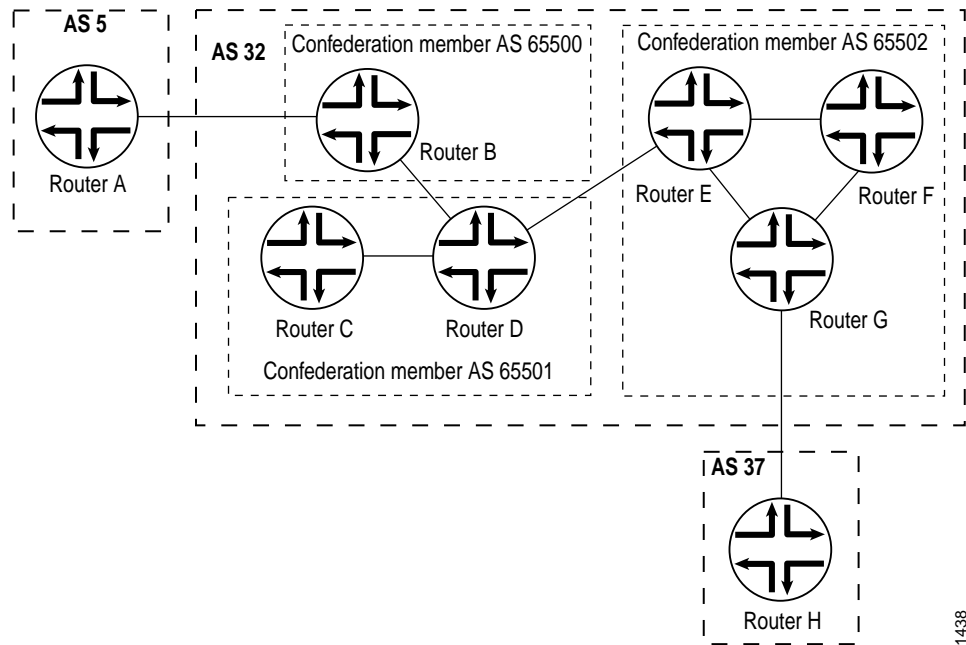
```

[edit]
routing-options {
  autonomous-system 23;
  router-id 10.0.0.1;
}
protocols {
  bgp {
    group 23 {
      type internal;
      peer-as 23;
      neighbor 10.0.0.2;
      neighbor 10.0.0.3;
    }
  }
}

```

Configure a BGP confederation. Figure 7 illustrates the confederation topology used in this example. For AS 32 to be a valid confederation, all routers in the AS must be members of the confederation. So, for example, Router B must have a confederation member AS number as well as a confederation AS number. Within a confederation, the links between the confederation member ASs must be EBGP links, not IBGP links.

Figure 7: Example: BGP Confederation Topology



1438

For routing instances, include the statement at the [edit routing-instances *routing-instance-name* routing-options] hierarchy level and the [edit routing-instances *routing-instance-name* protocols bgp group *group-name*] hierarchy level.

```

On Router A:
[edit]
routing-options {
  autonomous-system 5;
}
protocols {
  bgp {
    group AtoB {
      type external;
      peer-as 32;
      neighbor 10.0.0.2;
    }
  }
}

```

On Router B:

```
[edit]
routing-options {
  autonomous-system 65500;
  confederation 32 members [65500 65501 65502];
}
protocols {
  bgp {
    group BtoA {
      type external;
      peer-as 5;
      neighbor 10.0.0.1;
    }
    group BtoD {
      type external;
      peer-as 65501;
      neighbor 10.0.10.2;
    }
  }
}
```

On Router C:

```
[edit]
routing-options {
  autonomous-system 65501;
  confederation 32 members [65500 65501 65502];
}
protocols {
  bgp {
    group CtoD {
      type internal;
      neighbor 10.0.10.3;
    }
  }
}
```

On Router D:

```
[edit]
routing-options {
  autonomous-system 65501;
  confederation 32 members [65500 65501 65502];
}
protocols {
  bgp {
    group DtoC {
      type internal;
      neighbor 10.0.10.1;
    }
    group DtoB {
      type external;
      peer-as 65500;
      neighbor 10.0.10.1;
    }
    group DtoE {
      type external;
      peer-as 65502;
      neighbor 10.0.30.1;
    }
  }
}
```

On Router E:

```
[edit]
routing-options {
  autonomous-system 65502;
  confederation 32 members [65500 65501 65502];
}
protocols {
  bgp {
    group EtoD {
      type external;
      peer-as 65501;
      neighbor 10.0.10.4;
    }
    group EtoFandG {
      type internal;
      neighbor 10.0.30.2;
      neighbor 10.0.30.5;
    }
  }
}
```

On Router F:

```
[edit]
routing-options {
  autonomous-system 65502;
  confederation 32 members [65500 65501 65502];
}
protocols {
  bgp {
    group FtoEandG {
      type internal;
      neighbor 10.0.30.3;
      neighbor 10.0.30.7;
    }
  }
}
```

On Router G:

```
[edit]
routing-options {
  autonomous-system 65502;
  confederation 32 members [65500 65501 65502];
}
protocols {
  bgp {
    group GtoH {
      type external;
      peer-as 37;
      neighbor 10.0.40.1;
    }
    group GtoEandF {
      type internal;
      neighbor 10.0.30.4;
      neighbor 10.0.30.5;
    }
  }
}
```

On Router H:

```
[edit]
routing-options {
  autonomous-system 37;
}
protocols {
  bgp {
    group HtoG {
      type external;
      peer-as 32;
      neighbor 10.0.30.8;
    }
  }
}
```

Modify the Hold-Time Value

The hold time is the maximum number of seconds allowed to elapse between the time that a BGP system receives successive keepalive or update messages from a peer. When establishing a BGP connection with the local router, a peer sends an open message, which contains a hold-time value. BGP on the local router uses the smaller of either the local hold-time value or the peer's hold-time value received in the open message as the hold time for the BGP connection between the two peers.

The default hold-time value is 90 seconds.

To modify the hold-time value on the local BGP system, include the hold-time statement:

```
hold-time seconds;
```

You can configure the hold-time value globally for all BGP groups (at the [edit protocols bgp] hierarchy level), for all peers in a group (at the [edit protocols bgp group *group-name*] level), or for an individual peer (at the [edit protocols bgp group *group-name* neighbor *address*] level). For routing instances, include the statement at the [edit routing-instances *routing-instance-name* protocols bgp] hierarchy level and the [edit routing-instances *routing-instance-name* protocols bgp group *group-name* neighbor *address*] hierarchy level.

The hold time is three times the interval at which keepalive messages are sent.

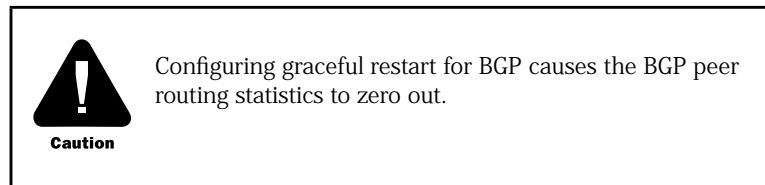
Configure Graceful Restart

Graceful restart is disabled by default. You can globally enable graceful restart for all routing protocols under the [edit routing-options] hierarchy level.

To configure graceful restart specifically for BGP, include the graceful-restart statement:

```
graceful-restart {
  disable;
  restart-time;
  stale-routes-time;
}
```

You can configure graceful restart globally for all BGP groups (at the [edit protocols bgp] hierarchy level), for all peers in a group (at the [edit protocols bgp group *group-name*] level), or for an individual peer (at the [edit protocols bgp group *group-name* neighbor *address*] level).



To disable graceful restart for BGP, specify the disable statement. To configure a time period to complete restart, specify the restart-time statement. To configure a time period over which to keep stale routes during a restart, specify the stale-routes-time statement.

Configure Authentication

All BGP protocol exchanges can be authenticated to guarantee that only trusted routers participate in the AS's routing. By default, authentication is disabled on the router. You can configure MD5 authentication on the router. The MD5 algorithm creates an encoded checksum that is included in the transmitted packet. The receiving router uses an authentication key (password) to verify the packet's MD5 checksum.

To configure authentication, include the authentication-key statement:

```
authentication-key key;
```

You can configure authentication globally for all BGP groups (at the [edit protocols bgp] hierarchy level), for all peers in a group (at the [edit protocols bgp group *group-name*] level), or for an individual peer (at the [edit protocols bgp group *group-name* neighbor *address*] level). For routing instances, include the statement at the [edit routing-instances *routing-instance-name* protocols bgp] hierarchy level, [edit routing-instances *routing-instance-name* protocols bgp group *group-name*] hierarchy level, and the [edit routing-instances *routing-instance-name* protocols bgp group *group-name* neighbor *address*] hierarchy level. If you configure authentication for all peers, each individual peer in that group inherits the group's authentication.

The key (password) can be up to 255 characters long. Characters can include any ASCII strings. If you include spaces, enclose all characters in quotation marks (double quotes).

When configuring authentication for all peers in a group, you cannot include the allow statement in the configuration because BGP keys require a destination address.

Apply IPSec Security Association

IPSec can be applied to BGP traffic. IPSec is a protocol suite used for protecting IP traffic at the packet level. IPSec is based on security associations (SAs). A security association is a simplex connection that provides security services to the packets carried by the SA. After configuring the security association, you can apply the SA to BGP peers.

To apply a security association, include the ipsec-sa statement:

```
ipsec-sa ipsec-sa;
```

You can apply a security association globally for all BGP groups (at the [edit protocols bgp] hierarchy level), for all peers in a group (at the [edit protocols bgp group *group-name*] level), or for an individual peer (at the [edit protocols bgp group *group-name* neighbor *address*] level). For routing instances, include the statement at the [edit routing-instances *routing-instance-name* protocols bgp] hierarchy level, [edit routing-instances *routing-instance-name* protocols bgp group *group-name*] hierarchy level, and the [edit routing-instances *routing-instance-name* protocols bgp group *group-name* neighbor *address*] hierarchy level. The security association is identified by the SA name.

A more specific security association overrides a less general SA. For example, if a specific SA is applied to a specific peer, that SA overrides the SA applied to the whole peer group.

For more detailed information about configuring IPsec security associations, see the *JUNOS Internet Software Configuration Guide: Getting Started*.

Open a Peer Connection Passively

You can configure a router not to send Open requests to a peer. Once you configure the router to be passive, the router does not originate the TCP connection. However, when the router receives a connection from the peer and an Open message, it replies with another BGP Open message. Each router declares its own capabilities.

To configure the router so that it does not send Open requests to a peer, include the passive statement:

```
passive;
```

You can configure passive connections globally for all BGP groups (at the [edit protocols bgp] hierarchy level), for all peers in a group (at the [edit protocols bgp group *group-name*] level), or for an individual peer (at the [edit protocols bgp group *group-name* neighbor *address*] level). For routing instances, include the statement at the [edit routing-instances *routing-instance-name* protocols bgp] hierarchy level, [edit routing-instances *routing-instance-name* protocols bgp group *group-name*] hierarchy level, and the [edit routing-instances *routing-instance-name* protocols bgp group *group-name* neighbor *address*] hierarchy level.

Configure the Local IP Address

You can specify the address of the local end of a BGP session. You generally do this to explicitly configure the system's IP address from BGP's point of view. This IP address can be either an IPv6 or IPv4 address. Typically, an IP address is assigned to a loopback interface, and that IP address is configured here. This address is used to accept incoming connections to the peer and to establish connections to the remote peer. To assign a local address, include the local-address statement:

```
local-address address;
```

You can configure the local BGP address globally for all BGP groups (at the [edit protocols bgp] hierarchy level), for all peers in a group (at the [edit protocols bgp group *group-name*] level), or for an individual peer (at the [edit protocols bgp group *group-name* neighbor *address*] level).

If you include the `default-address-selection` statement in the configuration, the software chooses the system default address as the source for most locally generated IP packets. For more information, see the *JUNOS Internet Software Configuration Guide: Getting Started*. For protocols in which the local address is unconstrained by the protocol specification, for example IBGP and multihop EBGP, if you do not configure a specific local address when configuring the protocol, the local address is chosen using the same methods as other locally generated IP packets.

Configure the Multiple Exit Discriminator Metric

The BGP multiple exit discriminator (MED, or `MULTI_EXIT_DISC`) is an optional path attribute that can be included in BGP update messages. This attribute is used on external BGP links (that is, on inter-AS links) to select among multiple exit points to a neighboring AS. The MED attribute has a value that is referred to as a *metric*. If all other factors in determining an exit point are equal, the exit point with the lowest metric is preferred.

If a MED is received over an external BGP link, it is propagated over internal links to other BGP systems within the AS.

BGP update messages include a MED metric if the route was learned from BGP and already had a MED metric associated with it, or if you configure the MED metric in the configuration file in one of the following ways:

- Define a MED Metric Directly on page 392

- Use Routing Policy to Define a MED Metric on page 392

For configuration examples, see “Examples: Configure the MED Metric” on page 393.

A MED metric is advertised with a route according to the following general rules:

- A more specific metric overrides a less specific metric. That is, a group-specific metric overrides a global BGP metric and a peer-specific metric overrides a global BGP or group-specific metric.

- A metric defined with routing policy overrides a metric defined with the `metric-out` statement.

- If any metric is defined, it overrides a metric received in a route.

- If the received route did not have an associated MED metric, and if you did not explicitly configure a metric, no metric is advertised.

For a description of the algorithm used to determine the active path, see “How the Active Route Is Determined” on page 7.

Define a MED Metric Directly

To directly configure a MED metric to advertise in BGP update messages, include the `metric-out` statement:

```
metric-out (metric | minimum-igp <offset> | igp <offset>);
```

You can configure a MED metric globally for all BGP groups (at the [edit protocols bgp] hierarchy level), for all peers in a group (at the [edit protocols bgp group *group-name*] level), or for an individual peer (at the [edit protocols bgp group *group-name* neighbor *address*] level).

metric is the primary metric on all routes sent to peers. It can be a value in the range 0 through $2^{32} - 1$.

Specify `minimum-igp` to set the metric to the minimum metric value calculated in the IGP to get to the BGP next hop. If a newly calculated metric is greater than the minimum metric value, the metric value remains unchanged. If a newly calculated metric is lower, the metric value is lowered to that value.

Specify `igp` to set the metric to the most recent metric value calculated in the IGP to get to the BGP next hop.

Specify a value for `<offset>` to increase or decrease the metric that is used from the metric value calculated in the IGP. The metric value is offset by the value specified. The metric calculated in the IGP (by specifying either `igp` or `igp-minimum`) is increased if the `<offset>` value is positive. The metric calculated in the IGP (by specifying either `igp` or `igp-minimum`) is decreased if the `<offset>` value is negative.

offset can be a value in the range -2^{31} through $2^{31} - 1$. Note that the adjusted metric can never go below 0 or above $2^{32} - 1$.

Use Routing Policy to Define a MED Metric

To use routing policy to define a MED metric to advertise, define the routing policy with the `policy-statement` statement at the [edit policy-options] hierarchy level, and then apply the filter using the `import` and `export` statements when configuring BGP.

When defining the routing policy filter, include an action that specifies the desired metric value:

```
[edit policy-options]
policy-statement policy-name {
  term term-name {
    from {
      match-conditions;
      route-filter destination-prefix match-type <actions>;
      prefix-list name;
    }
    to {
      match-conditions;
    }
    then actions;
  }
}
```

For information about defining routing policy, see the *JUNOS Internet Software Configuration Guide: Policy Framework*. For information about applying filters in BGP, see “Configure BGP Routing Policy” on page 412.

Examples: Configure the MED Metric

Set the MED metric to 20 for all routes advertised in BGP update messages except for those sent to the peer system 192.168.0.1; the MED for this peer is 10:

```
[edit]
routing-options {
  router-id 10.0.0.1;
  autonomous-system 23;
}
protocols {
  bgp {
    metric-out 20;
    group 23 {
      type external;
      peer-as 56;
      neighbor 192.168.0.1 {
        traceoptions {
          file bgp-log-peer;
          flag packets;
        }
        log-updown;
        metric-out 10;
      }
    }
  }
}
```

Set the MED metric to 20 for all routes from a particular community:

```
[edit]
routing-options {
  router-id 10.0.0.1;
  autonomous-system 23;
}
policy-options {
  policy-statement from-otago {
    from community otago;
    then metric 20;
  }
  community otago members [56:2379 23:46944];
}
```

```

protocols {
  bgp {
    import from-otago;
    group 23 {
      type external;
      peer-as 56;
      neighbor 192.168.0.1 {
        traceoptions {
          file bgp-log-peer;
          flag packets;
        }
        log-updown;
      }
    }
  }
}

```

Control the Aggregator Path Attribute

The JUNOS implementation of BGP performs route aggregation, which is the process of combining the characteristics of different routes so that only a single route is advertised. Aggregation reduces the amount of information that BGP must store and exchange with other BGP systems.

BGP adds the aggregator path attribute to BGP update messages. This attribute contains the local system's AS number and IP address (router ID).

To prevent different routers within an AS from creating aggregate routes that contain different AS paths, set the IP address in the aggregator path attribute to 0 by including the `no-aggregator-id` statement:

```
no-aggregator-id;
```

You can control the aggregator path attribute globally for all BGP groups (at the [edit protocols bgp] hierarchy level), for all peers in a group (at the [edit protocols bgp group *group-name*] level), or for an individual peer (at the [edit protocols bgp group *group-name* neighbor *address*] level). For routing instances, include the statement at the [edit routing-instances *routing-instance-name* protocols bgp] hierarchy level, [edit routing-instances *routing-instance-name* protocols bgp group *group-name*] hierarchy level, and the [edit routing-instances *routing-instance-name* protocols bgp group *group-name* neighbor *address*] hierarchy level.

Choose the Protocol Used to Determine the Next Hop

By default, BGP uses the active routes determined from all IGPs when resolving routes to next hops. To limit the IGPs that BGP uses, include the `protocol` statement, specifying the protocol as `isis` or `ospf`:

```
protocol protocol;
```

You can control the protocol globally for all peers in a group (at the [edit protocols bgp group *group-name*] level), or for an individual peer (at the [edit protocols bgp group *group-name* neighbor *address*] level). For routing instances, include the statement at the [edit routing-instances *routing-instance-name* protocols bgp] hierarchy level, [edit routing-instances *routing-instance-name* protocols bgp group *group-name*] hierarchy level, and the [edit routing-instances *routing-instance-name* protocols bgp group *group-name* neighbor *address*] hierarchy level.

Configure an EBGp Multihop Session

If an EBGp peer is more than one hop away from the local router, you must specify the next hop to the peer so that the two systems can establish a BGP session. This type of session is called a *multihop* BGP session. To configure a multihop session, include the multihop statement:

```
multihop <ttl-value>;
```

You can configure EBGp multihop sessions for all BGP groups (at the [edit protocols bgp] hierarchy level), for all peers in a group (at the [edit protocols bgp group *group-name*] level), or for an individual peer (at the [edit protocols bgp group *group-name* neighbor *address*] level). For routing instances, include the statement at the [edit routing-instances *routing-instance-name* protocols bgp] hierarchy level, [edit routing-instances *routing-instance-name* protocols bgp group *group-name*] hierarchy level, and the [edit routing-instances *routing-instance-name* protocols bgp group *group-name* neighbor *address*] hierarchy level.

To configure the maximum time-to-live (TTL) value for the TTL in the IP header of BGP packets, specify *ttl-value*. If you do not specify a TTL value, the system's default maximum TTL value is used.

Configure the BGP Local Preference

Internal BGP sessions use a metric called the *local preference*, which is carried in internal BGP update packets in the path attribute LOCAL_PREF. This metric indicates the degree of preference for an external route. The route with the highest local preference value is preferred.

The LOCAL_PREF path attribute is always advertised to internal BGP peers and to neighboring confederations. It is never advertised to external BGP peers. The default behavior is to not modify the LOCAL_PREF path attribute if it is present.



Note

The LOCAL_PREF path attribute applies at export time only.

By default, if a received route contains a LOCAL_PREF path attribute value, the value is not modified. If a BGP route is received without a LOCAL_PREF attribute, the route is handled locally (that is, it is stored in the routing table and advertised by BGP) as if it were received with a LOCAL_PREF value of 100. A non-BGP route that is advertised by BGP is advertised with a LOCAL_PREF value of 100 by default.

To change the local preference metric advertised in the path attribute, include the local-preference statement, specifying a value from 0 through 4,294,967,295 ($2^{32} - 1$):

```
local-preference local-preference;
```

You can configure the local preference metric for all BGP groups (at the [edit protocols bgp] hierarchy level), for all peers in a group (at the [edit protocols bgp group *group-name*] level), or for an individual peer (at the [edit protocols bgp group *group-name* neighbor *address*] level).

Control Route Preference

When the JUNOS software determines a route's preference to become the active route, it selects the route with the lowest preference as the active route and installs this route into the forwarding table. By default, the routing software assigns a preference of 170 to routes that originated from BGP. Of all the routing protocols, BGP has the highest default preference value, which means that routes learned by BGP are the least likely to become the active route. (For more information about preferences, see "Route Preferences" on page 6.)

To modify the default BGP preference value, include the preference statement, specifying a value from 0 through 4,294,967,295 ($2^{32} - 1$):

```
preference preference;
```

You can configure the preference value for all BGP groups (at the [edit protocols bgp] hierarchy level), for all peers in a group (at the [edit protocols bgp group *group-name*] level), or for an individual peer (at the [edit protocols bgp group *group-name* neighbor *address*] level).

Examples: Control Route Preference

Assign a preference of 160 to routes learned from the BGP system 192.168.1.1. The routing protocol process will prefer these routes over routes learned from other BGP systems, which have the default preference of 170. For routing instances, include the statement at the [edit routing-instances *routing-instance-name* routing-options] hierarchy level and the [edit routing-instances *routing-instance-name* protocols bgp] hierarchy level.

```
[edit]
routing-options {
  autonomous-system 23;
}
protocols {
  bgp {
    group 23 {
      type external;
      peer-as 56;
      neighbor 192.168.1.1 {
        preference 160;
      }
    }
  }
}
```

Assign a preference of 140 to all routes learned by BGP systems. Because the default OSPF preference is 150, BGP routes will be preferred over those learned from OSPF.

```
[edit]
routing-options {
  autonomous-system 23;
}
protocols {
  bgp {
    preference 140;
    group 23 {
      type external;
      peer-as 56;
      neighbor 192.168.1.1;
    }
  }
}
```

Configure Routing Table Path Selection

By default, only the MEDs of routes that have the same peer ASs are compared. You can configure routing table path selection options to get different behaviors. To configure routing table path selection behavior, include the `path-selection` statement at the `[edit protocols bgp]` hierarchy level (for routing instances, include the statement at the `[edit routing-instances routing-instance-name protocols bgp]` hierarchy level):

```
[edit protocols bgp]
path-selection (cisco-non-deterministic | always-compare-med);
```

Routing table path selection can be configured in one of two ways:

Using the same nondeterministic behavior as does the Cisco IOS software (`cisco-non-deterministic`). This behavior has two effects:

The active path is always first. All nonactive, but eligible, paths follow the active path and are maintained in the order in which they were received, with the most recent path first. Ineligible paths remain at the end of the list.

When a new path is added to the routing table, path comparisons are made without removing from consideration those paths that should never be selected because those paths lose the MED tiebreaking rule.

These two effects cause the system to only sometimes compare the MEDs between paths that it should otherwise compare. Because of this, we recommend that you not configure nondeterministic behavior.

Always comparing MEDs whether or not the peer ASs of the compared routes are the same (`always-compare-med`).

For an example of always comparing MEDs, see “Example: Always Compare MEDs” on page 398.

For a description of the algorithm used to determine the active path, see “How the Active Route Is Determined” on page 7.

Example: Always Compare MEDs

In this example, paths learned from 208.197.169.15 have their MED values compared to the sum of 4 and the MED values of the same paths learned from 208.197.169.14.

```
[edit]
protocols {
  bgp {
    path-selection always-compare-med;
    group ref {
      type external;
      import math;
      peer-as 10458;
      neighbor 208.197.169.14;
    }
    group ref {
      type external;
      peer-as 10;
      neighbor 208.197.169.15;
    }
  }
}

policy-options {
  policy-statement math {
    then {
      metric add 4;
    }
  }
}
```

Configure BGP To Select Multiple BGP Paths

You can configure BGP to select multiple non-multi-hop EBGP or IBGP paths as active paths. Selecting multiple paths allows BGP peerings to load-balance traffic across an AS-confederation boundary. The JUNOS BGP multipath supports the following:

Load-balancing across multiple links between two routers belonging to different ASs

Load-balancing across a common subnet or multiple subnets to different routers belonging to the same peer AS

Load-balancing across multiple links between two routers belonging to different external confederation peers

Load-balancing across a common subnet or multiple subnets to different routers belonging to external confederation peers

To configure a BGP multipath, include the multipath statement:

```
multipath;
```

You can configure BGP multipath for all peers in a group (at the [edit protocols bgp group *group-name*] level), or for an individual peer (at the [edit protocols bgp group *group-name* neighbor *address*] level). For routing instances, include the statement at the [edit routing-instances *routing-instance-name* protocols bgp group *group-name*] hierarchy level and the [edit routing-instances *routing-instance-name* protocols bgp group *group-name* neighbor *address*] hierarchy level.

Configure a Local AS

You can configure BGP with a different local AS number for each EBGP session, which allows BGP to configure a local AS for each EBGP session. Configuring a local AS simulates a virtual AS for the router. The AS paths for the routes from that EBGP peer have the configured local-as prepended before the peer AS for that session. This is useful if ISP A has acquired another ISP B, but does not want to change the configurations of ISP B's customers' routers. ISP B's AS is the AS that is configured as the local AS.

To configure a local AS, include the local-as statement:

```
local-as autonomous-system <private>;
```

You can set the local AS path for all BGP groups (at the [edit protocols bgp] hierarchy level), for all peers in a group (at the [edit protocols bgp group *group-name*] level), or for an individual peer (at the [edit protocols bgp group *group-name* neighbor *address*] level). For routing instances, include the statement at the [edit routing-instances *routing-instance-name* protocols bgp] hierarchy level, [edit routing-instances *routing-instance-name* protocols bgp group *group-name*] level, and the [edit routing-instances *routing-instance-name* protocols bgp group *group-name* neighbor *address*] hierarchy level.

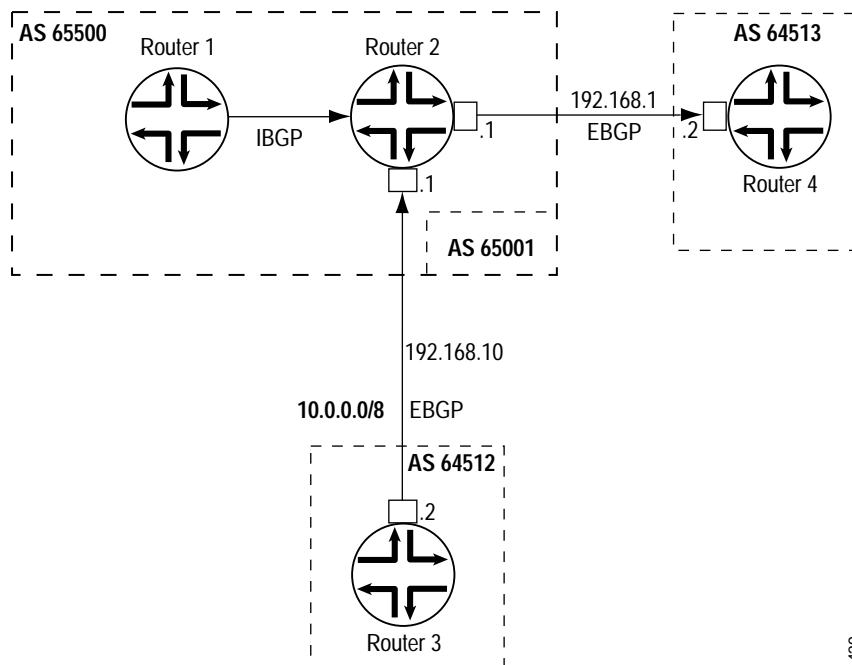
If you include the private keyword, the local AS is not prepended before the peer AS. This means that the AS paths do not show details of such a configuration, and ISP A's EBGP peers and IBGP peers do not see any difference from before the local AS configuration.

Examples: Configure a Local AS

You can include the local-as statement to configure a router to use a different AS number than the one for which the router is configured. The local AS is used in all BGP protocol exchanges with the routers that are configured for simulating a virtual AS.

Use the local-as statement when ISPs merge and want to preserve a customer's configuration, particularly the AS the customer is configured to peer with. Use the local-as statement to simulate the AS number already in place in customer routers even if the ISP's router is in a different AS now.

Figure 8: Local AS Configuration



In Figure 8, Router 1 and Router 2 are in AS 65500, Router 4 is in AS 64513, Router 3 is in AS 64512. Router 2 uses AS 65001 as its local AS.

Router 2 adds AS 65001 when announcing Router 1’s routes to Router 3. Router 3 sees an AS path of 65001 65500 64512 for the prefix 10/8. To prevent Router 2 from adding the virtual AS number in its announcements to other peers, use the local-as *autonomous-system* private statement. The local-as *autonomous-system* private statement configures Router 2 to not include the virtual AS number configured in local-as when announcing Router 1’s routes to Router 3. In this case, Router 3 sees an AS path of 65500 64512 for the prefix 10/8.

The configuration for each router follows:

```

On Router 1:
routing-options {
  autonomous-system 65500;
}
protocols {
  bgp {
    group internal-AS65500 {
      type internal;
      local-address 10.1.1.1;           # Router 1's IP or loopback address
      neighbor 10.1.1.2;               # Router 2's IP or loopback address
    }
  }
}
  
```

1439

On Router 2:

```

routing-options {
  autonomous-system 65500;
}
protocols {
  bgp {
    group internal-AS65500 {
      type internal;
      local-address 10.1.1.2;
      neighbor 10.1.1.1;           # Router 2's IP address
    }
    group external-AS64513 {
      type external;
      peer-as 64513;
      neighbor 192.168.1.2;      # Router 4's IP address
      local-as 65001;
    }
    group external-AS64512 {
      type external;
      peer-as 64512;
      neighbor 192.168.10.2;    # Router 3's IP address
      local-as 65001;
    }
  }
}

```

On Router 3:

```

routing-options {
  autonomous-system 64512;
}
protocols {
  bgp {
    group external-AS65001 {
      type external;
      peer-as 65001;
      neighbor 192.168.10.1;    # Router 2's IP address
    }
  }
}

```

On Router 4:

```

routing-options {
  autonomous-system 64513;
}
protocols {
  bgp {
    group external-65500 {
      peer-as 65500;
      neighbor 192.168.1.1;     # Router 2's IP address
    }
  }
}

```

Remove Private AS Numbers from AS Paths

By default, when BGP advertises AS paths to remote systems, it includes all AS numbers, including private AS numbers. You can configure the software so that it removes private AS numbers from AS paths. Doing this is useful when all the following circumstances are true:

- A remote AS for which you provide connectivity is multihomed, but only to the local AS.

- The remote AS does not have an officially allocated AS number.

- It is not appropriate to make the remote AS a confederation member AS of the local AS.

To have the local system strip private AS numbers from the AS path, include the `remove-private` statement:

```
remove-private;
```

You can remove private AS numbers for all BGP groups (at the `[edit protocols bgp]` hierarchy level), or for all peers in a group (at the `[edit protocols bgp group group-name]` level).

The AS numbers are stripped from the AS path starting at the left end of the AS path (the end where AS paths have been most recently added). This operation takes place after any confederation member ASs have already been removed from the AS path, if applicable.

The software is preconfigured with knowledge of the set of AS numbers that is considered private, a range that is defined in the Internet Assigned Numbers Authority (IANA) assigned numbers document. The set of AS numbers reserved as private are in the range 64,512 through 65,534, inclusive.

Configure Route Reflection

In standard internal BGP implementations, all BGP systems within the AS are fully meshed so that any external routing information is redistributed among all routers within the AS. This type of implementation can present scaling issues when an AS has a large number of internal BGP systems because of the amount of identical information that BGP systems must share with each other. Route reflection provides one means of decreasing BGP control traffic, and minimizing the number of update messages sent within the AS.

In route reflection, BGP systems are arranged in *clusters*. Each cluster consists of at least one system that acts as a *route reflector*; along with any number of *client peers*. BGP peers outside the cluster are called *nonclient peers*. The route reflector reflects (redistributes) routing information to each client peer (*intracluster reflection*) and to all nonclient peers (*intercluster reflection*). Because the route reflector redistributes routes within the cluster, the BGP systems within the cluster do not have to be fully meshed.

When the route reflector receives a route, it selects the best path. Then, if the route came from a nonclient peer, the route reflector sends the route to all client peers within the cluster. If the route came from a client peer, the route reflector sends it to all nonclient peers and to all client peers except the originator. In this process, none of the client peers send routes to other client peers.

To configure route reflection, you specify a cluster identifier only on the BGP systems that are to be the route reflectors. These systems then determine, from the network reachability information they receive, which BGP systems are part of its cluster and are client peers, and which BGP systems are outside the cluster and are nonclient peers.

To configure a router to be a route reflector, you must do the following:

Configure multiple IBGP groups.

Configure a cluster identifier (using the cluster statement) for groups that are members of the cluster.

Configure all the groups with the same IBGP AS number.

To configure the route reflector, include the following statements in the configuration:

```
[edit protocols bgp]
group group-name {          # Peer group consisting of the nonclient peers of the local
system,
  type internal;           # which is acting as a route reflector
  peer-as autonomous-system;
  neighbor address1;
  neighbor address2;
}
group group-name {          # Peer group consisting of the peers that are in the cluster;
  type internal;           # each peer is treated as a route reflector client by the local
system
  peer-as autonomous-system; # Number must match previous peer-as statement
  cluster cluster-identifier;
  neighbor address3;
  neighbor address4;
}
```

By default, the BGP route reflector performs intracluster reflection because it assumes that all the client peers are not fully meshed. However, if the client peers are fully meshed, intracluster reflection results in the sending of redundant route advertisements. In this case, you can disable intracluster reflection by including the no-client-reflect statement within the group statement:

```
group group-name {          # Peer group consisting of the peers that are in the cluster;
  type internal;           # each peer is treated as a route reflector client by the local
system
  peer-as autonomous-system; # Number must match previous peer-as statement
  cluster cluster-identifier;
  no-client-reflect;
  neighbor address3;
  neighbor address4;
}
```



Caution

BGP route reflection is not supported for Virtual Routing and Forwarding (VRF) routing instances.

Examples: Configure Route Reflection

This example shows how to configure a simple route reflector. The configuration contains three routes: Router 1, which is the route reflector; Router 2, which is a client; and Router 3, which is a nonclient.

The routers have the following loopback addresses:

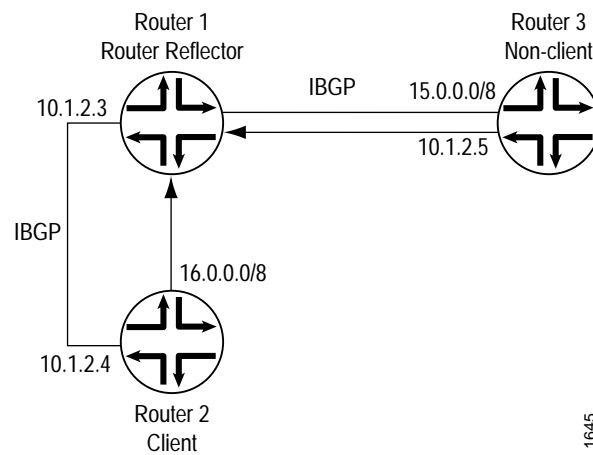
Router 1—10.1.2.3

Router 2—10.1.2.4

Router 3—10.1.2.5

You must configure all routers to run a common IGP or to have static configuration, so that they learn each other's loopback addresses.

Figure 9: Simple Route Reflector



Configure Router 1 to be a route reflector for Router 2 and a regular IBGP neighbor for Router 3:

```
[edit]
routing-options {
  autonomous-system 65534;
}
```

```

protocols {
  bgp {
    group 13 {
      type internal;
      local-address 10.1.2.3;
      neighbor 10.1.2.5;
    }
    group 12 {
      type internal;
      local-address 10.1.2.3;
      cluster 1.2.3.4;
      neighbor 10.1.2.4;
    }
  }
}

```

Configure Router 2 to be an IBGP neighbor to Router 1 and announce 16.0.0.0/8 to Router 1.
Configure route 16.0.0.0/8 as a static route on Router 2.

```

[edit]
routing-options {
  static {
    route 16.0.0.0/8 nexthop 172.16.1.2;
  }
  autonomous-system 65534;
}
protocols {
  bgp {
    group 21 {
      type internal;
      local-address 10.1.2.4;
      export dist-static;
      neighbor 10.1.2.3;
    }
  }
}
policy-options {
  policy-statement dist-static {
    from protocol static;
    then accept;
  }
}

```

Configure Router 3 to be an IBGP neighbor to Router 1 and announce 15.0.0.0/8 to Router 1.
Configure route 15.0.0.0/8 as a static route on Router 3.

```

[edit]
routing-options {
  static {
    route 15.0.0.0/8 nexthop 172.16.1.2;
  }
  autonomous-system 65534;
}

```

```

protocols {
  bgp {
    group 31 {
      type internal;
      local-address 10.1.2.5;
      export dist-static;
      neighbor 10.1.2.3;
    }
  }
}
policy-options {
  policy-statement dist-static {
    from protocol static;
    then accept;
  }
}

```

The following is the output of the show route detail command for route 16.0.0.0/8 on Router 1 and Router 3. Note that Router 1 learns 16.0.0.0/8 from its client, Router 2, and reflects it to Router 3. On Router 3, the output of the show route commands include the cluster list and originator ID attributes, which are added by Router 1 when the route is reflected.

Router 1:

```
user@router1> show route 16.0.0.0/8 detail
```

```
inet.0: 1 destinations, 1 routes (1 active, 0 holddown, 0 hidden)
```

```
+ = Active Route, - = Last Active, * = Both
```

```
16.0.0.0/8 (1 entry, 1 announced)
```

```

*BGP          Preference: 170/-101
              Source: 10.1.2.4
              Nexthop: 172.16.1.2 via fxp0.0, selected
              State: <Active Int Ext>
              Local AS: 65534                Peer AS: 65534
              Age: 11:55                      Metric2: 0
              Task: BGP_65534.10.1.2.4+4327
              Announcement bits (3): 2-KRT 3-BGP.0.0.0.0+179 4-BGP_Sync_Any
              AS path: I
              BGP next hop: 172.16.1.2
              Localpref: 100
              Router ID: 10.1.2.4

```

Router 3:

```
user@router3> show route 16.0.0.0/8 detail
```

```
inet.0: 1 destinations, 1 routes (1 active, 0 holddown, 0 hidden)
```

```
+ = Active Route, - = Last Active, * = Both
```

```
16.0.0.0/8 (1 entry, 1 announced)
```

```

*BGP          Preference: 170/-101
              Source: 10.1.2.3
              Nexthop: 172.16.1.2 via fxp0.0, selected
              State: <Active Int Ext>
              Local AS: 65534                Peer AS: 65534
              Age: 11:57                      Metric2: 0
              Task: BGP_65534.10.1.2.3+4619
              Announcement bits (2): 2-KRT 4-BGP_Sync_Any
              AS path: I <Originator>
              Cluster list: 1.2.3.4
              Originator ID: 10.1.2.4

```

```

BGP next hop: 172.16.1.2
Localpref: 100
Router ID: 10.1.2.3

```

The following is the output of the show route detail command for route 15.0.0.0/8 on Router 1 and Router 2. Similar to when routes are reflected from client peers to nonclient peers, Router 1 reflects a route it learns from a regular IBGP neighbor to its client. Cluster list and Originator ID attributes are added during the reflection process.

Router 1:

```
user@router1> show route 15.0.0.0/8 detail
```

```
inet.0: 1 destinations, 1 routes (1 active, 0 holddown, 0 hidden)
+ = Active Route, - = Last Active, * = Both
```

```

15.0.0.0/8 (1 entry, 1 announced)
  *BGP          Preference: 170/-101
                Source: 10.1.2.5
                Nexthop: 172.16.1.2 via fxp0.0, selected
                State: <Active Int Ext>
                Local AS: 65534                Peer AS: 65534
                Age: 11:14                    Metric2: 0
                Task: BGP_65534.10.1.2.5+179
                Announcement bits (3): 2-KRT 3-BGP.0.0.0.0+179 4-BGP_Sync_Any
                AS path: I
                BGP next hop: 172.16.1.2
                Localpref: 100
                Router ID: 10.1.2.5

```

Router 2:

```
user@router2> show route 15.0.0.0/8 detail
```

```
inet.0: 1 destinations, 1 routes (1 active, 0 holddown, 0 hidden)
+ = Active Route, - = Last Active, * = Both
```

```

15.0.0.0/8 (1 entry, 1 announced)
  *BGP          Preference: 170/-101
                Source: 10.1.2.3
                Nexthop: 172.16.1.2 via fxp0.0, selected
                State: <Active Int Ext>
                Local AS: 65534                Peer AS: 65534
                Age: 11:23                    Metric2: 0
                Task: BGP_65534.10.1.2.3+179
                Announcement bits (2): 2-KRT 4-BGP_Sync_Any
                AS path: I <Originator>
                Cluster list: 1.2.3.4
                Originator ID: 10.1.2.5
                BGP next hop: 172.16.1.2
                Localpref: 100
                Router ID: 10.1.2.3

```

Enable Outbound Route Filtering

Outbound route filtering enables you to filter BGP route advertisements for a particular BGP peer or set of peers. Peers in the same BGP group can have different routing table entries if you filter so that only a selected peer or set of peers receives the route advertisements.

To enable outbound route filtering, include the `outbound-route-filtering` statement:

```
outbound-route-filtering {
  extended-community {
    accept;
    no-accept;
    vrf-filter;
  }
}
```

To accept a peer's request for filtering on Network Layer Reachability Information (NLRI) route advertisements, include the `accept` option. To deny a peer's request for filtering on Network Layer Reachability Information (NLRI) route advertisements, include the `no-accept` option. To request filtering from a remote peer, include the `vrf-filter` option.

You can enable outbound route filtering for all peers in a group (at the [edit protocols bgp group *group-name*] level), or for an individual peer (at the [edit protocols bgp group *group-name* neighbor *address*] level). For routing instances, include the statement at the [edit routing-instances *routing-instance-name* protocols bgp group *group-name*] hierarchy level, and the [edit routing-instances *routing-instance-name* protocols bgp group *group-name* neighbor *address*] hierarchy level.

Enable Route Flap Damping

BGP *route flapping* describes the situation in which BGP systems send an excessive number of update messages to advertise network reachability information. BGP *flap damping* is a method of reducing the number of update messages sent between BGP peers, thereby reducing the load on these peers, without adversely affecting the route convergence time for stable routes.

By default, route flap damping is disabled. To enable it, include the `damping` statement:

```
damping;
```

You can configure route flap damping for all BGP groups (at the [edit protocols bgp] hierarchy level), for all peers in a group (at the [edit protocols bgp group *group-name*] level), or for an individual peer (at the [edit protocols bgp group *group-name* neighbor *address*] level). For routing instances, you can configure at the [edit routing-instances *routing-instance-name* protocols bgp] hierarchy level, [edit routing-instances *routing-instance-name* protocols bgp group *group-name*] hierarchy level, and the [edit routing-instances *routing-instance-name* protocols bgp group *group-name* neighbor *address*] hierarchy level.

Damping is applied to external peers and to peers at confederation boundaries. For finer control over which peers have damping enabled, include the `damping` statement at the [edit protocols bgp group *group-name*] level.

By default, route flap damping uses the following parameters:

Decay half-life while reachable—15 minutes

Maximum hold-down time—60 minutes

Reuse threshold—750

Cutoff threshold—3000

To change these default parameters, you must define the flap damping parameters with the damping statement at the [edit policy-options] hierarchy level and then apply them using an import statement when configuring BGP. For more information about flap damping and defining flap damping parameters, see the *JUNOS Internet Software Configuration Guide: Policy Framework*. For more information about applying policy filters in BGP, see “Configure BGP Routing Policy” on page 412.

Enable Multiprotocol BGP

Multiprotocol BGP (MBGP) is an extension to BGP that enables BGP to carry routing information for multiple network layers and address families. MBGP can carry the unicast routes used for multicast routing separately from the routes used for unicast IP forwarding.

To enable MBGP, you configure BGP to carry NLRI for address families other than unicast IPv4 by including the family inet statement:

```
family inet {
  (any | multicast | unicast) {
    prefix-limit {
      maximum number;
      teardown <percentage> <idle-timeout (forever | time-in-minutes)>;
    }
    rib-group group-name;
  }
}
```

To enable MBGP to carry network layer reachability information (NLRI) for the IPv6 address family, include the family inet6 statement:

```
family inet6 {
  (any | multicast | unicast) {
    prefix-limit {
      maximum number;
      teardown <percentage> <idle-timeout (forever | minutes)>;
    }
    rib-group group-name;
  }
}
```

To enable MBGP to carry Layer 3 VPN network layer reachability information (NLRI) for the IPv4 address family, include the family inet-vpn statement:

```
family inet-vpn {
  (any | multicast | unicast) {
    prefix-limit {
      maximum number;
      teardown <percentage> <idle-timeout (forever | minutes)>;
    }
    rib-group group-name;
  }
}
```

To enable MBGP to carry Layer 3 VPN NLRI for the IPv6 address family, include the family inet6-vpn statement:

```
family inet6-vpn {
  (any | multicast | unicast) {
    prefix-limit {
      maximum number;
      teardown <percentage> <idle-timeout (forever | minutes)>;
    }
    rib-group group-name;
  }
}
```

You can enable MBGP for all BGP groups (at the [edit protocols bgp] hierarchy level), for all peers in a group (at the [edit protocols bgp group *group-name*] level), or for an individual peer (at the [edit protocols bgp group *group-name* neighbor *address*] level).



Note

If you change the address family specified in the [edit bgp family inet] hierarchy level, the BGP sessions are dropped and then reestablished.

By default, BGP peers carry only unicast routes used for unicast forwarding purposes. To configure BGP peers to carry only multicast routes, specify the multicast option. To configure BGP peers to carry both unicast and multicast routes, specify the any option.

When MBGP is configured, BGP installs the MBGP routes into different routing tables. Each routing table is identified by the protocol family or address family indicator (AFI) and a subaddress family indicator (SAFI).

The JUNOS software supports all unicast and multicast SAFIs (1 and 2) for both AFI 1 (IPv4) and AFI 2 (IPv6). The following table shows all possible AFI/SAFI combinations and routing tables populated with this information:

	SAFI 1	SAFI 2
AFI 1 (IPv4)	inet.0	inet.2
AFI 2 (IPv6)	inet6.0	inet6.2

If peers are not MBGP, you cannot export routes from inet.2 to them, only routes in the inet.0 routing table. Routes in inet.2 can be sent only to MBGP peers, since they are sent with subaddress family information that identifies them as routes to multicast sources. The inet.2 table should be a subset of the routes that you have in inet.0, since it is unlikely that you would have a route to a multicast source to which you could not send unicast traffic.

The inet.2 routing table is used to keep the unicast routes that are used for multicast reverse-path-forwarding checks. You automatically get an inet.2 routing table when you configure MBGP (by setting NLRI to any). The additional reachability information learned by MBGP from the NRLI multicast updates are placed in inet.2.

When you enable multiprotocol BGP, you can do the following:

Limit the Number of Prefixes on a BGP Peering on page 411

Configure BGP Routing Table Groups on page 412

Limit the Number of Prefixes on a BGP Peering

You can limit the number of prefixes received on a BGP peering, and log rate-limited messages when the number of injected prefixes exceeds a set limit. You can also tear down the peering when the number of prefixes exceeds the limit.

To configure a maximum number of prefixes, include the prefix-limit statement:

```
prefix-limit {
  maximum number;
  teardown <percentage> <idle-timeout (forever | minutes)>;
}
```

You can specify the maximum number of prefixes at the [edit protocols bgp family (inet | inet6) (any | multicast | unicast)] hierarchy level, the [edit protocols bgp group *group-name* family (inet | inet6) (any | multicast | unicast)] level, or the [edit protocols bgp group *group-name* neighbor *address* family (inet | inet6) (any | multicast | unicast)] level. For routing instances, include the statement at the [edit routing-instances *routing-instance-name* protocols bgp family inet (any | multicast | unicast)] hierarchy level or the [edit routing-instances *routing-instance-name* protocols bgp group *group-name* neighbor *address* family inet (any | multicast | unicast)] hierarchy level.

When you set the maximum number of prefixes, a message is logged when that number is reached.

If you include the teardown statement, the session is torn down when the maximum number of prefixes is reached. If you specify a percentage, messages are logged when the number of prefixes reaches that percentage. Once the session is torn down, it is reestablished in a short time (unless you include the idle-timeout statement). Then the session can be kept down for a specified amount of time, or forever. If you specify forever, the session is reestablished only after the you use a clear bgp neighbor command.

Configure BGP Routing Table Groups

When a BGP session receives a unicast or multicast NLRI, it installs the route in the appropriate table (inet.0 or inet6.0 for unicast, and inet.2 or inet6.2 for multicast). To add unicast prefixes to both the unicast and multicast tables, you can configure BGP routing table groups. This is useful if you cannot perform multicast NLRI negotiation.

To configure BGP routing table groups, include the `rib-group` statement:

```
rib-group group-name;
```

You can include this statement at the [edit protocols bgp family (inet | inet6) (any | multicast | unicast)] hierarchy level, the [edit protocols bgp group *group-name* family (inet | inet6) (any | multicast | unicast)] level, or the [edit protocols bgp group *group-name* neighbor *address* family (inet | inet6) (any | multicast | unicast)] level. For routing instances, include the statement at the [edit routing-instances *routing-instance-name* protocols bgp family inet (any | multicast | unicast)] hierarchy level [edit routing-instances *routing-instance-name* protocols bgp group *group-name* family inet (any | multicast | unicast)] hierarchy level or the [edit routing-instances *routing-instance-name* protocols bgp group *group-name* neighbor *address* family inet (any | multicast | unicast)] hierarchy level.

Configure BGP Routing Policy

All routing protocols use the JUNOS software routing table to store the routes that they learn and to determine which routes they should advertise in their protocol packets. Routing policy allows you to control which routes the routing protocols store in and retrieve from the routing table. For information about routing policy, see the *JUNOS Internet Software Configuration Guide: Policy Framework*.

When configuring BGP routing policy, you can perform the following tasks:

Apply Routing Policy on page 412

Apply Policies to Routes Being Exported from the Routing Table into BGP on page 413

Have BGP Advertise Inactive Routes on page 414

Configure How Often BGP Exchanges Routes with the Routing Table on page 414

Apply Routing Policy

You define routing policy at the [edit policy-options] hierarchy level. To apply policies you have defined for BGP, include the `import` and `export` statements within the BGP configuration. For information about defining policy, see the *JUNOS Internet Software Configuration Guide: Policy Framework*.

You can apply policies as follows:

BGP global import and export statements—Include these statements at the [edit protocols bgp] hierarchy level (for routing instances, include these statements at the [edit routing-instances routing-instance-name protocols bgp] hierarchy level).

Group import and export statements—Include these statements at the [edit protocols bgp group *group-name*] hierarchy level (for routing instances, include these statements at the [edit routing-instances *routing-instance-name* protocols bgp group *group-name*] hierarchy level).

Peer import statements—Include these statements at the [edit protocols bgp group *group-name* neighbor *address*] hierarchy level (for routing instances, include these statements at the [edit routing-instances *routing-instance-name* protocols bgp group *group-name* neighbor *address*] hierarchy level). (A peer uses its group's export statement.)

A peer-level import statement overrides a group import statement. A group-level import or export statement overrides a global BGP import or export statement.

To apply policies, see the following sections:

Apply Policies to Routes Being Imported into the Routing Table from BGP on page 413

Apply Policies to Routes Being Exported from the Routing Table into BGP on page 413

Apply Policies to Routes Being Imported into the Routing Table from BGP

To apply policy to routes being imported into the routing table from BGP, include the import statement, listing the names of one or more policies to be evaluated:

```
import [policy-names];
```

If you specify more than one policy, they are evaluated in the order specified, from first to last, and the first matching filter is applied to the route. If no match is found, BGP places into the routing table only those routes that were learned from BGP routers.

Apply Policies to Routes Being Exported from the Routing Table into BGP

To apply policy to routes being exported from the routing table into BGP, include the export statement, listing the names of one or more policies to be evaluated:

```
export [policy-names];
```

If you specify more than one policy, they are evaluated in the order specified, from first to last, and the first matching filter is applied to the route. If no routes match the filters, the routing table exports into BGP only the routes that it learned from BGP.

Have BGP Advertise Inactive Routes

By default, BGP stores the route information it receives from update messages in the JUNOS routing table, and the routing table exports only active routes into BGP, which BGP then advertises to its peers. To have the routing table export to BGP the best route learned by BGP even if the JUNOS software did not select it to be an active route, include the `advertise-inactive` statement:

```
advertise-inactive;
```

You can advertise inactive routes for all BGP groups (at the [edit protocols bgp] hierarchy level), for all peers in a group (at the [edit protocols bgp group *group-name*] level), or for an individual peer (at the [edit protocols bgp group *group-name* neighbor *address*] level). For routing instances, include the statement at the [edit routing-instances *routing-instance-name* protocols bgp] hierarchy level [edit routing-instances *routing-instance-name* protocols bgp group *group-name*] hierarchy level and the [edit routing-instances *routing-instance-name* protocols bgp group *group-name* neighbor *address*] hierarchy level.

Configure How Often BGP Exchanges Routes with the Routing Table

BGP stores the route information it receives from update messages in the routing table, and the routing table exports active routes from the routing table into BGP. BGP then advertises the exported routes to its peers. By default, the exchange of route information between BGP and the routing table occurs immediately after the routes are received. This immediate exchange of route information might cause instabilities in the network reachability information. To guard against this, you can delay the time between when BGP and the routing table exchange route information.

To configure how often BGP and the routing table exchange route information, include the `out-delay` statement:

```
out-delay seconds;
```

You can configure the delay for all BGP groups (at the [edit protocols bgp] hierarchy level), for all peers in a group (at the [edit protocols bgp group *group-name*] level), or for an individual peer (at the [edit protocols bgp group *group-name* neighbor *address*] level).

By default, the routing table retains some of the route information learned from BGP. To have the routing table retain all or none of this information, include the `keep` statement:

```
keep (all | none);
```

You can configure the amount of information retained for all BGP groups (at the [edit protocols bgp] hierarchy level), for all peers in a group (at the [edit protocols bgp group *group-name*] level), or for an individual peer (at the [edit protocols bgp group *group-name* neighbor *address*] level). For routing instances, include the statement at the [edit routing-instances *routing-instance-name* protocols bgp] hierarchy level, [edit routing-instances *routing-instance-name* protocols bgp group *group-name*] hierarchy level, and the [edit routing-instances *routing-instance-name* protocols bgp group *group-name* neighbor *address*] hierarchy level.

The routing table can retain the route information learned from BGP in one of the following ways:

Default (omit the keep statement)—Keep all route information that was learned from BGP except for routes whose AS path is looped and the loop includes the local AS.

keep all—Keep all route information that was learned from BGP.

keep none—Discard routes that were received from a peer and that were rejected by import policy or other sanity checking, such as AS path or next hop. When you configure keep none for the BGP session and the inbound policy changes, the JUNOS software forces readvertisement of the full set of routes advertised by the peer.

In an AS path healing situation, routes with looped paths theoretically could become usable during a soft reconfiguration when the AS path loop limit is changed. However, there is a significant memory usage difference between the default and keep all because it is common for a peer to readvertise routes back to the peer from which it learned them. The default behavior is not to waste memory on such routes.

Configure EBGP Peering using IPv6 Link-local Address

The JUNOS software supports EBGP peering sessions by means of IPv6 link-local addresses. An IPv6 peering session can be configured when a 128-bit IPv6 address is specified in the neighbor statement. The peer address is identified as link-local by means of the local-interface statement.

To configure an EBGP peer, specify a 128-bit IPv6 link-local address in the neighbor statement at the [edit protocols bgp group *group-name*] hierarchy level:

```
neighbor ipv6-link-local-address;
```

To specify the interface name for the EBGP link-local peer, include the local-interface statement at the [edit protocols bgp group *group-name* neighbor *ipv6-link-local-address*] hierarchy level:

```
local-interface interface-name;
```

This statement is valid only for 128-bit IPv6 link-local addresses and is mandatory for configuring an IPv6 EBGP link-local peering session. For more information about IPv6 addressing, see “Routing Protocols Concepts” on page 3.



Note

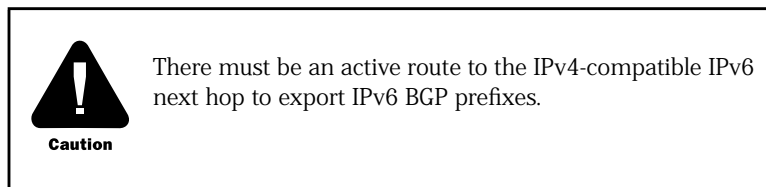
Configuring EBGP peering using link-local addresses is only applicable for directly connected interfaces. There is no support for multihop peering.

Configure IPv6 BGP Routes over IPv4 Transport

You can export both IPv6 and IPv4 prefixes over an IPv4 connection where both sides are configured with an IPv4 interface. In this case, the BGP neighbors are IPv4 prefixes. The IPv4-compatible IPv6 prefixes are configured on the interfaces to preclude the configuration of static routes.

Keep these things in mind when exporting IPv6 BGP prefixes:

BGP derives next-hop prefixes using the IPv4-compatible IPv6 prefix. For example, the IPv4 next-hop prefix 10.19.1.1 translates to the IPv6 next-hop prefix ::10.19.1.1 (hexadecimal format ::a13:101).



An IPv6 connection must be configured over the link. The connection must be either an IPv6 tunnel or a dual-stack configuration.

When configuring IPv4-compatible IPv6 prefixes, use a mask that is longer than 96 bits.

Configure a static route if you want to use normal IPv6 prefixes.

Example: Configure IPv6 BGP Routes over IPv4 Transport

Configure IPv4 transport from interface ge-0/1/0 with an IPv4 prefix 11.19.1.2/24 to interface ge-1/1/1 with an IPv4 prefix 11.19.1.1/24 to carry IPv6 BGP routes.

Define IPv4 and IPv6 BGP groups for 11.19.1.2 with BGP neighbor 11.19.1.1:

```
[edit protocols]
bgp {
  group ebgp_both {
    type external;
    local-address 11.19.1.2;
    family inet {
      unicast;
    }
    family inet6 {
      unicast;
    }
    peer-as 1;
    neighbor 11.19.1.1;
  }
}
```

Configure the interfaces with both an IPv4 and a corresponding IPv4-compatible IPv6 prefix:

```
[edit interfaces]
ge-0/1/0 {
  unit 0 {
    family inet {
      address 11.19.1.2/24;
    }
    family inet6 {
      address ::11.19.1.2/126;
    }
  }
}
```

Configure BGP to Log System Log Messages

Whenever a BGP peer makes a state transition, you can configure BGP so that it generates a syslog message. To do this, include the `log-updown` statement:

```
log-updown;
```

You can configure the generation of system log messages for all BGP groups (at the [edit protocols bgp] hierarchy level), for all peers in a group (at the [edit protocols bgp group *group-name*] level), or for an individual peer (at the [edit protocols bgp group *group-name* neighbor *address*] level).



Note

Enabling the `log-updown` statement causes BGP state transitions to be logged at warning level.

Describe BGP Router Configuration

You can enter plain text to describe the BGP router configuration.

To enter a description, include the `description` statement:

```
description description-text;
```

You can enter a description for all BGP groups (at the [edit protocols bgp] hierarchy level), for all peers in a group (at the [edit protocols bgp group *group-name*] level), or for an individual peer (at the [edit protocols bgp group *group-name* neighbor *address*] level). For routing instances, include the statement at the [edit routing-instances *routing-instance-name* protocols bgp] hierarchy level [edit routing-instances *routing-instance-name* protocols bgp group *group-name*] hierarchy level and the [edit routing-instances *routing-instance-name* protocols bgp group *group-name* neighbor *address*] hierarchy level.

Block Non-Peer TCP Connection Attempts

You can restrict transmission control protocol (TCP) connection attempts on port 179 to BGP peers only. This blocks all non-BGP connection attempts on port 179.

To restrict TCP connection attempts to BGP peers include the `apply-path` statement at the [edit policy-options *prefix-list* *prefix-name*] hierarchy level:

```
apply-path protocol bgp group group-name neighbor neighbor;
```

For detailed information about configuring TCP connection attempts, see the *JUNOS Internet Software Configuration Guide: Policy Framework*.

Apply BGP Export Policy to VRF Routes

You can apply a VPN routing and forwarding (VRF) export policy in addition to applying a BGP export policy to routes before advertising the routes to provider edge (PE) routers in a VPN. The default action is to accept routes.

To apply an export policy to routes, include the `vpn-apply-export` statement:

```
vpn-apply-export;
```

You can apply export policy globally for all BGP groups (at the [edit protocols bgp] hierarchy level), for all peers in a group (at the [edit protocols bgp group *group-name*] level), or for an individual peer (at the [edit protocols bgp group *group-name* neighbor *address*] level).

Enable Next-hop Reachability Information

To enable multiprotocol updates to contain next-hop reachability information, include the `mp-reach-nexthop` statement:

```
include-mp-next-hop;
```

You can enable this globally for all BGP groups at the [edit protocols bgp] hierarchy level.

Trace BGP Protocol Traffic

To trace BGP protocol traffic, you can specify options in the global `traceoptions` statement at the [edit routing-options] hierarchy level, and you can specify BGP-specific options by including the `traceoptions` statement at the [edit protocols bgp] hierarchy level. For routing instances, include the statement at the [edit routing-instances *routing-instance-name* protocols bgp] hierarchy level.

```
[edit protocols bgp]
traceoptions {
  file name <replace> <size size> <files number> <no-stamp>
    <(world-readable | no-world-readable)>;
  flag flag <flag-modifier> <disable>;
}
```

You can specify the following BGP-specific options in the BGP traceoptions statement:

aspath—Trace AS path regular expression operations.

damping—Trace damping operations.

keepalive—Trace BGP keepalive messages.

open—Trace BGP open packets. These packets are sent between peers when they are establishing a connection.

packets—Trace all BGP protocol packets.

update—Trace update packets. These packets provide routing updates to BGP systems.

You can filter trace statements and output only the statement information that passes through the filter by specifying the filter flag modifier. The filter modifier is only supported for the route and damping tracing flags.

The match-on statement specifies filter matches based on prefixes. It is used to match on route filters.

For general information about tracing, see the tracing and logging information in the *JUNOS Internet Software Configuration Guide: Getting Started*.

Examples: Trace BGP Protocol Traffic

Trace only unusual or abnormal operations to routing-log, and trace detailed information about all BGP messages to bgp-log:

```
[edit]
routing-options {
  traceoptions {
    file routing-log;
  }
  autonomous-system 23;
}
protocols{
  bgp {
    group 23 {
      type external;
      peer-as 56;
      traceoptions {
        file bgp-log size 10k files 5;
        flag packets detail;
      }
      allow 0.0.0.0/0;
    }
  }
}
```

Trace only update messages received from the configured peer:

```
[edit]
routing-options{
  autonomous-system 23;
  router-id 10.0.0.1;
}
protocols {
  bgp {
    group 23 {
      type external;
      peer-as 56;
      neighbor boojum.snark.net {
        traceoptions {
          file bgp-log size 10k files 2;
          flag update detail;
        }
      }
    }
  }
}
```

Trace only messages that pass the policy based on prefix match:

```
[edit]
protocols {
  bgp {
    traceoptions {
      file bgp-tr size 5m files 10;
      flag route filter policy couple-route match-on prefix;
    }
  }
}
```