

Conversion Instructions for SSG 300M-series Security Devices and J-series Services Routers

Follow these instructions to convert an SSG 300M-series security device to a J-series Services Router by changing the operating system (OS) from ScreenOS software to JUNOS software, or to convert a J-series Services Router to an SSG 300M-series security device by changing the OS from JUNOS (legacy services) or JUNOS software to ScreenOS software.

This document contains the following sections:

February 2009
Part No.
530-022512-01
Revision 02

Introduction.....	1
Converting an SSG 300M-series Security Device to a J-series Services Router.....	2
Converting a J-series Services Router to an SSG 300M-series Security Device.....	3
Replacing the Internal Compact Flash Card.....	4
Registering Your New Hardware Configuration.....	7
Conversion Mappings for SSG 300M-series Security Devices and J-series Services Routers.....	7

Introduction

This document describes how to convert the following Juniper Networks SSG 300M-series security devices and J-series Services Routers:

- SSG 320M security device to J2320 Services Router
- SSG 350M security device to J2350 Services Router
- J2320 Services Router to SSG 320M security device
- J2350 Services Router to SSG 350M security device

Having an active Juniper Networks service contract allows you to open a case with Juniper Networks Customer Service if you need assistance while performing the OS conversion.



WARNING: Failure to register your new hardware configuration affects your access profile for <http://www.juniper.net/customers/support/>. Your current access profile is based on your initial product registration. Not registering the new hardware configuration affects your access to Customer Support Center (CSC) tools, software downloads, and hardware replacement entitlement. Any hardware Return Material Authorization (RMA) replacement also defaults to the original hardware configuration.

You can register the new hardware configuration only once. Make sure that you have thoroughly tested the final OS conversion and want to make it permanent before you register the new hardware configuration.

Converting an SSG 300M-series Security Device to a J-series Services Router

These instructions apply to the following OS conversion kits:

- SSG-320M-J-CONV-S, SSG 320M to J2320 Conversion Kit
- SSG-350M-J-CONV-S, SSG 350M to J2350 Conversion Kit

See “Conversion Mappings for SSG 300M-series Security Devices and J-series Services Routers” on page 7 for a list of the results of converting SSG 300M-series security devices to J-series Services Routers and converting J-series Services Routers to SSG 300M-series security devices.

To convert an SSG 300M-series security device to a J-series Services Router by changing the OS from ScreenOS software to JUNOS software:

1. Save a copy of the ScreenOS configuration file to a PC or local server.

You will need a copy of this configuration file later to convert it from ScreenOS to JUNOS format.

2. Enter the following commands to change the hardware platform’s boot settings:

```
set boot junos
save
```

NOTE: You must perform Step 2 before proceeding with the following tasks.

3. Press and release the power button to power off the device. Verify that the POWER LED is off.
4. Remove the power cord or cable from the power-source receptacle.

Make sure to perform this step before proceeding.

5. Replace the internal compact flash card in your system with the compact flash card provided with the OS conversion kit, as described in “Replacing the Internal Compact Flash Card” on page 4.

After you power on the device, JUNOS software is booted. For information about how to migrate your original ScreenOS configuration to a JUNOS software configuration and complete the migration process, see the *JUNOS Software Migration Guide* at <http://www.juniper.net/techpubs>.

6. (Optional) Peel off the SSG 300M-series overlay from the front of the chassis.

Completion of Steps 6 and 7 is optional and does not affect the registration of your new hardware configuration.
7. (Optional) Peel the backing from the self-adhesive J-series overlay provided with your OS conversion kit. Apply the overlay to the front of the chassis. Starting on the left side, line up the cutouts on the overlay with the ports and LEDs on the chassis.
8. Register the new hardware configuration and validate it with Juniper Networks Customer Service, as described in the *Read This First* document included with your OS conversion kit.

NOTE: You can register the new hardware configuration only once. Make sure that you have thoroughly tested the final OS conversion and want to make it permanent before you register the new hardware configuration.

Converting a J-series Services Router to an SSG 300M-series Security Device

These instructions apply to the following OS conversion kits:

- J2320-SSG-CONV-S, J2320 to SSG 320M Conversion Kit
- J2350-SSG-CONV-S, J2350 to SSG 350M Conversion Kit

To convert a J-series Services Router to an SSG 300M-series security device by changing the OS from JUNOS software (legacy services) to ScreenOS software:

1. We recommend that you create a backup of your JUNOS configuration file.
2. Press and release the power button to power off the device. Verify that the POWER LED is off.
3. Remove the power cord or cable from the power-source receptacle.

Make sure to perform this step before proceeding.

4. If you are changing the OS from JUNOS software to ScreenOS software, replace the internal compact flash card in your system with the compact flash card provided with the OS conversion kit, as described in “Replacing the Internal Compact Flash Card” on page 4.

NOTE: If you previously changed the OS from ScreenOS to JUNOS software and are changing the OS back to ScreenOS, the release of ScreenOS on the compact flash card provided with the OS conversion kit might be different from the release of ScreenOS that was originally running on the SSG 500M-series security device.

If you are changing the OS back to ScreenOS and did not register the new hardware configuration, you can change the OS back to ScreenOS by replacing the internal compact flash card in your system with the original ScreenOS compact flash card, as described in “Replacing the Internal Compact Flash Card” on page 4.

After you power on the device, the ScreenOS software is booted.

5. (Optional) Peel off the J-series overlay from the front of the chassis.

Completion of Steps 5 and 6 is optional and does not affect the registration of your new hardware configuration.

6. (Optional) Peel the backing from the self-adhesive SSG 300M-series overlay provided with your OS conversion kit. Apply the overlay to the front of the chassis. Starting on the left side, line up the cutouts on the overlay with the ports and LEDs on the chassis.
 7. Register the new hardware configuration and validate it with Juniper Networks Customer Service, as described in the *Read This First* document included with your OS conversion kit.
-

NOTE: You can register the new hardware configuration only once. Make sure that you have thoroughly tested the final OS conversion and want to make it permanent before you register the new hardware configuration.

Replacing the Internal Compact Flash Card

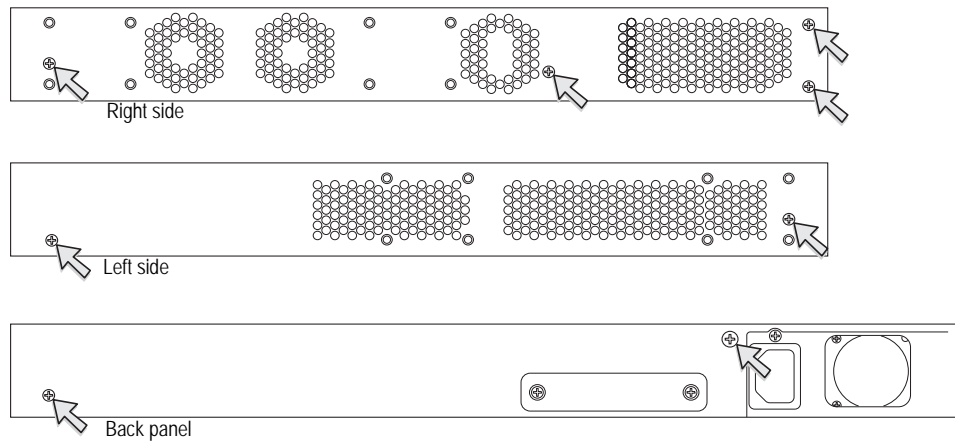
To replace the internal compact flash card:

1. Press and release the power button to power off the device. Verify that the POWER LED is off.
2. Remove the power cord or cable from the power-source receptacle.
3. If the unit is rack-mounted, remove it from the rack, and remove the rack mount brackets from the sides of the unit.
4. Place an electrostatic bag or antistatic mat on a flat, stable surface.
5. Attach an electrostatic discharge (ESD) grounding strap to your bare wrist and connect the strap to a grounded terminal near the work area.

- Use a phillips screwdriver to remove the screws that secure the cover to the chassis. Also remove the grounding point screw on the back panel.

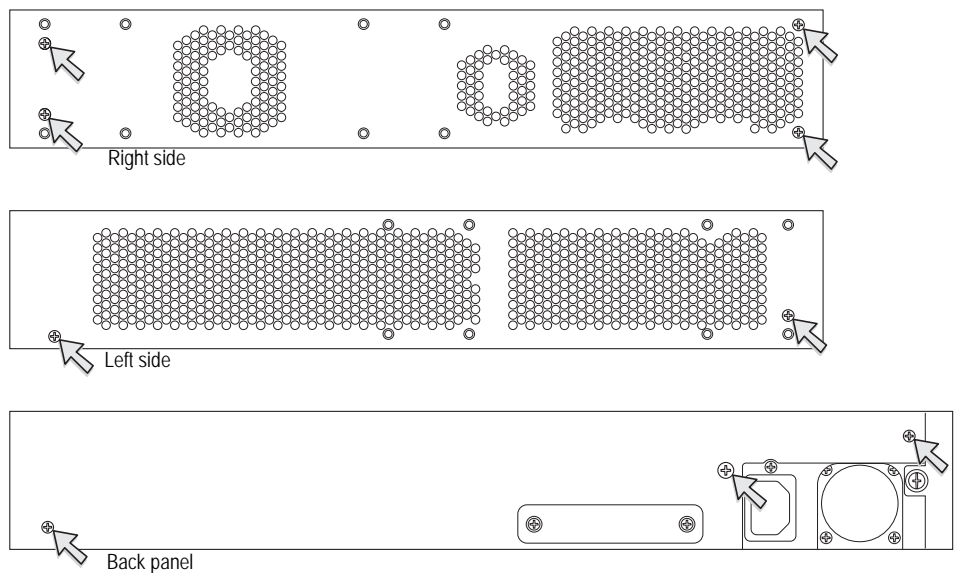
The arrows in Figure 1 show the locations of the chassis cover screws for SSG 320M security devices and J2320 Services Routers.

Figure 1: Chassis Cover Screws, SSG 320M and J2320



The arrows in Figure 2 show the locations of the chassis cover screws for SSG 350M security devices and J2350 Services Routers.

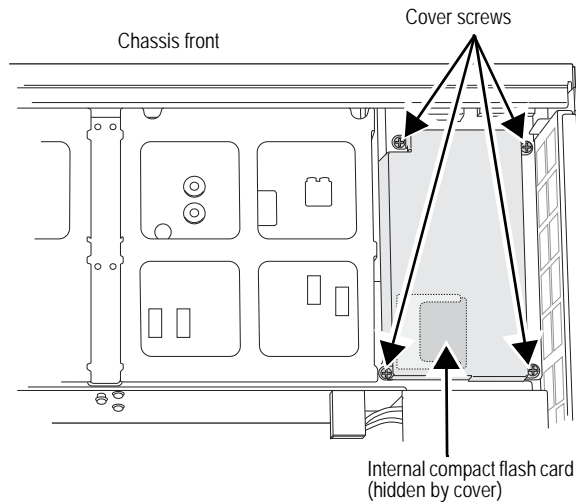
Figure 2: Chassis Cover Screws, SSG 350M and J2350



- Slide the chassis cover toward the back of the unit and lift it off.

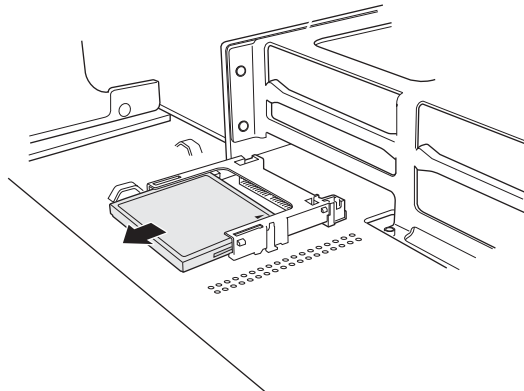
- Use a phillips screwdriver to remove the four screws that secure the cover over the internal compact flash card, as shown in Figure 3.

Figure 3: Removing the Internal Compact Flash Card Cover



- Lift out the cover, and set it aside.
- Gently grasp the internal compact flash card, and slide it out of its slot (see Figure 4).

Figure 4: Removing the Internal Compact Flash Card



- Place the original compact flash card on the antistatic mat or in the electrostatic bag.
- Slide in the new compact flash card until it seats firmly in the slot.
- Replace the internal compact flash card cover, and secure it with the four screws you removed in Step 8.
- Place the chassis cover onto the chassis and slide the cover forward into place. Make sure that the alignment tabs on the top front and lower rear edges of the cover engage the matching slots on the chassis.

15. Replace and tighten the screws that secure the chassis cover, and also replace and tighten the grounding point screw. See Figure 1 and Figure 2 on page 5.
16. If you removed the unit from a rack, mount it in the rack, and connect all necessary cables.
17. Replace the power cord or cable.
18. Press and release the power button to power on the device. Verify that the POWER LED lights steadily after you press the power button.

Registering Your New Hardware Configuration

After successfully performing the OS conversion and testing it on your device, you must register the new hardware configuration and validate it with Juniper Networks Customer Service, as described in the *Read This First* document included with your OS conversion kit. After registering the new hardware configuration, allow up to 45 days for restocking of the new hardware configuration to support any Next Day or Same Day contracts. Juniper Networks Customer Service will provide best-effort support until restocking of the converted product is complete. After the registration process is completed, your Customer Support Center access profile is updated so that you can access the software and tools that support your new hardware configuration.

Conversion Mappings for SSG 300M-series Security Devices and J-series Services Routers

Table 1 lists the results of converting SSG 300M-series security devices to a J-series Services Routers and converting J-series Services Routers to SSG 300M-series security devices.

Table 1: SSG 300M-series Security Device and J-series Services Router Conversion Mappings

SSG 300M-series Security Device	J-series Services Router
SSG-320M-SB	J2320-JB-SC
SSG-320M-SH	J2320-JH
SSG-350M-SB	J2350-JB-SC
SSG-350M-SH	J2350-JH

Copyright © 2009, Juniper Networks, Inc. All rights reserved.

Juniper Networks, the Juniper Networks logo, JUNOS, NetScreen, ScreenOS, and Steel-Belted Radius are registered trademarks of Juniper Networks, Inc. in the United States and other countries. JUNOSe is a trademark of Juniper Networks, Inc. All other trademarks, service marks, registered trademarks, or registered service marks are the property of their respective owners.

Juniper Networks assumes no responsibility for any inaccuracies in this document. Juniper Networks reserves the right to change, modify, transfer, or otherwise revise this publication without notice.

Products made or sold by Juniper Networks or components thereof might be covered by one or more of the following patents that are owned by or licensed to Juniper Networks: U.S. Patent Nos. 5,473,599, 5,905,725, 5,909,440, 6,192,051, 6,333,650, 6,359,479, 6,406,312, 6,429,706, 6,459,579, 6,493,347, 6,538,518, 6,538,899, 6,552,918, 6,567,902, 6,578,186, and 6,590,785.