

Installing an Uplink Module in an EX-series Switch

EX-series switches have a field-replaceable unit (FRU) uplink module on the front panel. The uplink module in an EX-series switch is not hot-removable and hot-insertable.



NOTE: If you insert a transceiver in an SFP uplink module installed in an EX 3200 switch, a corresponding network port from the last four ports is disabled. For example, if you insert an SFP transceiver in ge-0/1/3, ge-0/0/23 is disabled. The disabled port is not listed in the output of `show interface` commands.

Ensure you have the following tools and parts available to install an uplink module in an EX-series switch chassis:

- Electrostatic discharge (ESD) grounding strap
- Cross-head screwdriver (provided in the uplink module kit)

Ensure you understand how to prevent ESD damage (see Preventing Electrostatic Discharge Damage).

To install an uplink module in an EX-series switch (see Figure 1 on page 2):

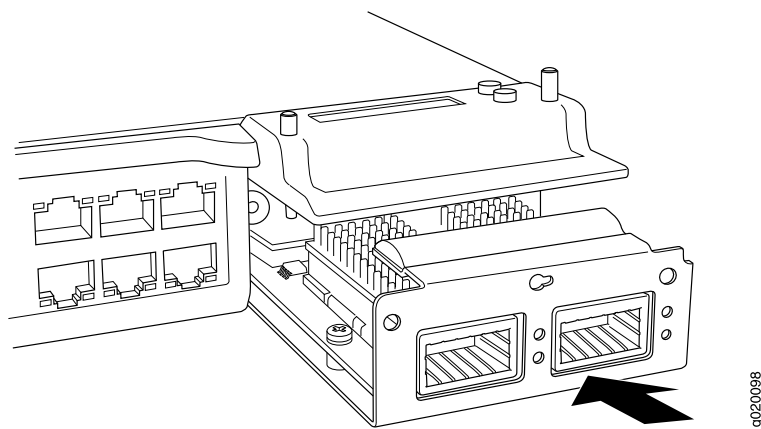
1. Attach an electrostatic discharge (ESD) grounding strap to your bare wrist, and connect the strap to the ESD point on the chassis.
 2. If the switch is on, power it off. Ensure that the **AC OK** LED on the power supply is unlit.
 3. Loosen the screws that secure the flip-up door covering the empty uplink module slot on the front panel of the chassis by using the cross-head screwdriver, flip the door upward, and remove the blanking panel covering the empty uplink module slot.
 4. Remove the uplink module from its bag. Take care not to touch module components, pins, leads, or solder connections.
-



CAUTION: Ensure the uplink module is aligned correctly when you slide it into the slot; misalignment might bend the pins and make the uplink module unusable.

5. Using both hands, place the module in the empty slot and slide it in gently until it is fully seated.
6. Flip the door down and tighten the screws by using the cross-head screwdriver.
7. Power on the switch. Ensure that the **AC OK** LED on the power supply is lit and is on steadily.

Figure 1: Installing an Uplink Module in an EX-series Switch



NOTE: If you have a Juniper J-Care service contract, register any addition, change, or upgrade of hardware components at <https://www.juniper.net/customers/csc/management/updateinstallbase.jsp>. Failure to do so can result in significant delays if you need replacement parts. This note applies if you change the type of power supply or add a new type of uplink module. It does not apply if you replace these components with the same type of component.

- Related Topics**
- Removing an Uplink Module from an EX-series Switch
 - Installing and Removing EX-series Switch Hardware Components
 - Field-Replaceable Units in EX-series Switches
 - EX 3200 Switch—Front-Panel Description
 - EX 4200 Switch—Front-Panel Description
 - Optical Interface Support—EX 3200 and EX 4200 Switches