

## Connecting a Virtual Chassis Cable to an EX 4200 Switch

EX 4200 switches have two virtual chassis ports on the rear panel. You can use the virtual chassis ports to interconnect up to 10 EX 4200 switches, enabling them to operate as a unified single high bandwidth switch. To see illustrations of a few virtual chassis cabling configuration examples, see Virtual Chassis Cabling Configuration Examples.

Ensure you have the following tools and parts available to connect a virtual chassis cable to an EX 4200 switch:

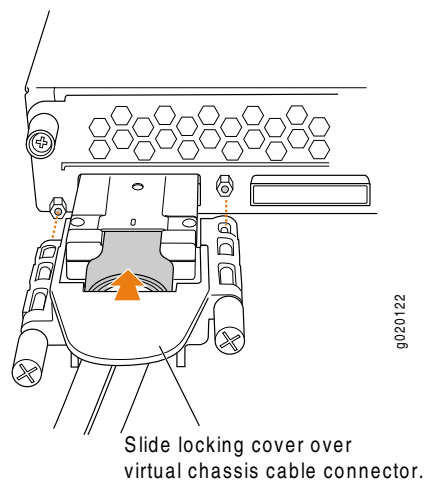
- Electrostatic discharge (ESD) grounding strap
- Cross-head screwdriver

Ensure you understand how to prevent ESD damage (see Preventing Electrostatic Discharge Damage).

To connect a virtual chassis cable to an EX-series switch (see Figure 1 on page 1):

1. Attach an electrostatic discharge (ESD) grounding strap to your bare wrist, and connect the strap to the ESD point on the chassis.
2. Remove the virtual chassis cable from its bag. Take care not to touch module components, pins, leads, or solder connections.
3. Using both hands, place the virtual chassis cable connector in the empty virtual chassis port and slide it in gently until it is fully seated.
4. Slide the locking cover over the virtual chassis cable connector.
5. Tighten the screws on the locking cover by using the cross-head screwdriver.

**Figure 1: Connecting a Virtual Chassis Cable to an EX 4200 Switch**





**NOTE:** If you order virtual chassis cables separately, you should reuse the locking covers provided with the original cable or order virtual chassis cable locking covers also separately.

---

- Related Topics**
- Disconnecting a Virtual Chassis Cable from an EX-series Switch
  - Understanding Virtual Chassis Hardware Configuration
  - Understanding Virtual Chassis Components
  - Planning the Virtual Chassis
  - Virtual Chassis Ports Connector Pinout Information