

## Installing the MX960 Chassis in the Rack Manually

---

To install the router in the rack (see Figure 1):



**CAUTION:** If you are installing more than one router in a rack, install the lowest one first. Installing a router in an upper position in a rack or cabinet requires a lift.

---



**CAUTION:** Before front mounting the router in a rack, have a qualified technician verify that the rack is strong enough to support the router's weight and is adequately supported at the installation site.

---



**CAUTION:** Lifting the chassis and mounting it in a rack requires three people. The empty chassis weighs approximately 150 lb (60.4 kg).

---

1. Ensure that the rack is in its permanent location and is secured to the building. Ensure that the installation site allows adequate clearance for both airflow and maintenance.
  2. Position the router in front of the rack or cabinet, centering it in front of the mounting shelf. Use a pallet jack if one is available.
  3. With one person on each side and one person in the front, hold onto the bottom of the chassis and carefully lift it onto the large and small (if installed) mounting shelves.
- 

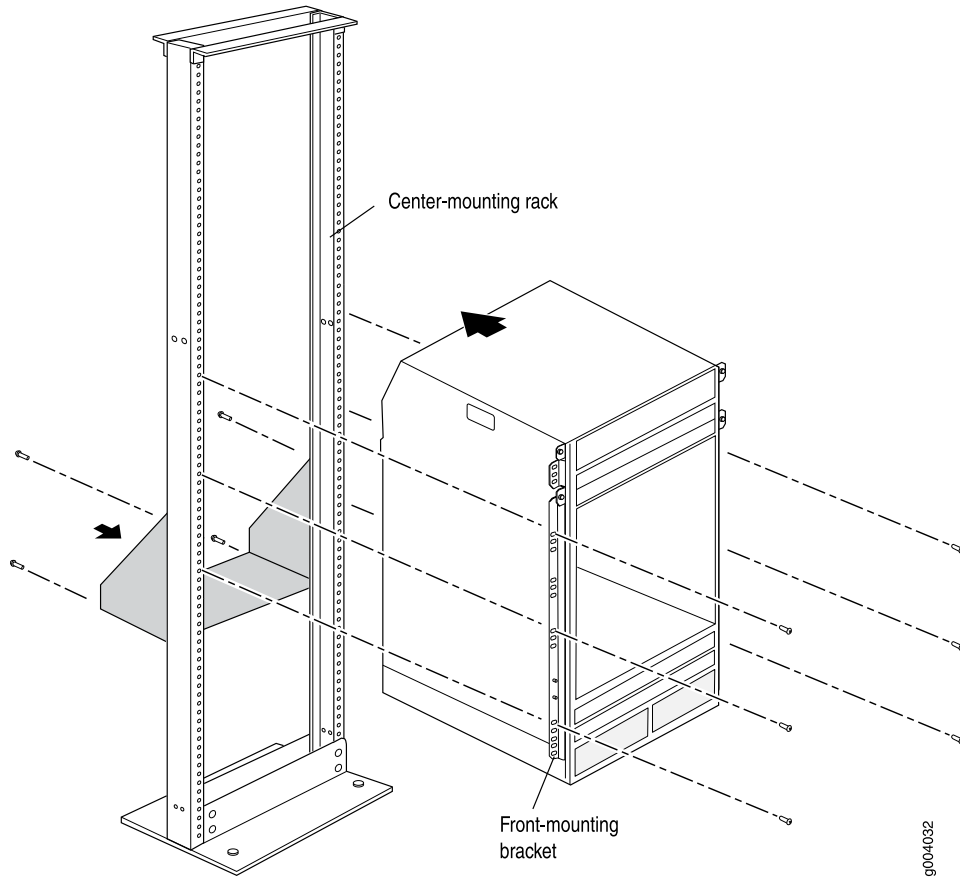


**WARNING:** To prevent injury, keep your back straight and lift with your legs, not your back. Avoid twisting your body as you lift. Balance the load evenly and be sure that your footing is solid.

---

4. Slide the router onto the mounting shelves until the mounting brackets or front-mounting flanges contact the rack rails. The shelves ensure that the holes in the mounting brackets and the front-mounting flanges of the chassis align with the holes in the rack rails.
5. To install the router in an open-frame rack, install a mounting screw into each of the open mounting holes aligned with the rack, starting from the bottom.
6. Visually inspect the alignment of the router. If the router is installed properly in the rack, all the mounting screws on one side of the rack should be aligned with the mounting screws on the opposite side and the router should be level.

**Figure 1: Installing the MX960 Router in the Rack**



**NOTE:** This illustration depicts the router being installed in an open-frame rack. For an illustration of the mounting hardware required for a four-post rack or cabinet, see [Installing the Mounting Hardware for a Four-Post Rack or Cabinet](#).

- Related Topics**
- [MX960 Site Preparation Checklist](#)
  - [Installing the MX960 Mounting Hardware for Center-Mounting in an Open-Frame Rack](#)
  - [Installing the MX960 Mounting Hardware for Front-Mounting in an Open-Frame Rack](#)
  - [Installing the MX960 Mounting Hardware for a Four-Post Rack or Cabinet](#)
  - [Installing the MX960 Router Using a Mechanical Lift](#)

Published: 2010-01-27