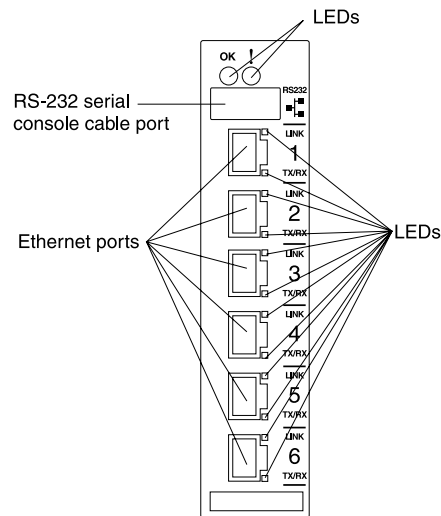


## JCS1200 Switch Module Components and LEDs

Figure 1 shows the components on the switch module.

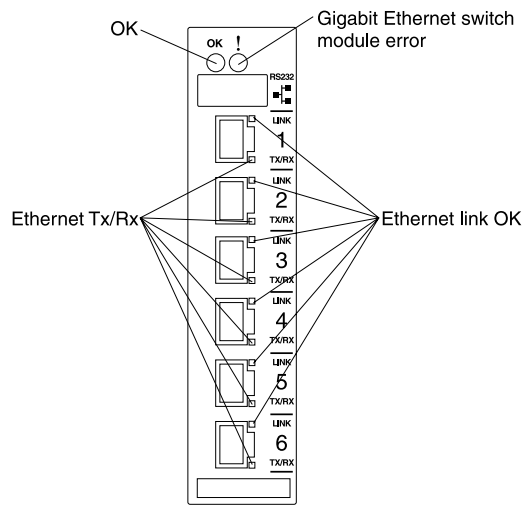
**Figure 1: JCS1200 Switch Module Components**



The switch module consists of the following components:

- One RS-232 console port that provides an additional means to install software and configure the switch module. This USB-style connector enables connection of a special serial cable to the switch module.
- Six external copper 1000Base-T Ethernet ports for 10/100/1000 Mbps connections to the T Series router. These ports are identified as EXT1, EXT2, EXT3, EXT4, EXT5, and EXT6 in the switch configuration menus and are labeled **1** through **6** (from top to bottom) on the switch module. You can use RJ-45 ports labeled **1** through **3** to connect up to three T Series routers running JUNOS Release 9.2 and later to the JCS1200 platform. The RJ-45 ports labeled **4** and **5** on the switch module are reserved for future use. You can use the RJ-45 port labeled **6** to manage the switch module.
- Eight LEDs that indicate the status of the switch module and the network (see Figure 2).

**Figure 2: JCS1200 Switch Module LEDs**



The functions of the switch module LEDs are described in Table 1.

**Table 1: JCS1200 Switch Module LEDs**

| Name   | Color | State  | Description   |
|--|-------|--|---|
| OK   | Green | On steadily  | The switch module has passed the power-on self-test (POST) with no critical faults and is operational.  |
| Gigabit Ethernet switch module error (fault) (!) | Amber | On steadily  | The switch module has failed the POST or detected an operational fault.<br><br><b>NOTE:</b> When the Gigabit Ethernet switch module error LED is lit, the system-error LED on the alarm panel is also lit |
| Ethernet link (LINK)                             | Green | On steadily  | There is a connection (or link) to a device using that connector.   |
| Ethernet activity (Tx/Rx)                        | Green | Flashing<br><br><b>NOTE:</b> The flash frequency is proportional to the amount of traffic on the network link. | Data is being transmitted or received (that is, activity is occurring) between that port and another device on the network link.  |

- Related Topics**
- JCS1200 Switch Module Description
  - Replacing a JCS1200 Switch Module Filler Tray
  - Replacing a JCS1200 Switch Module Interposer

- Replacing a JCS1200 Switch Module or Module Filler
- Locating the JCS1200 Switch Module Serial Number

---

Published: 2010-01-25