

## JCS1200 Management Module Connectors and LEDs

Figure 1 shows the input and output connectors on the management module.

**Figure 1: JCS1200 Management Module Input and Output Connectors**

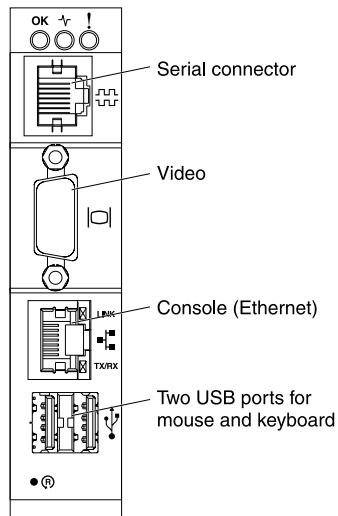
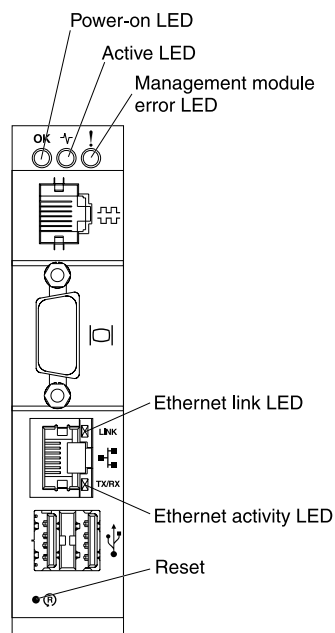


Figure 2 shows the location of LEDs and controls on the management module.

**Figure 2: JCS1200 Management Module LEDs and Controls**



The management module consists of the following components:

- Serial connector—Use this connection to configure and manage the JCS1200 components over a serial line through the management module CLI. This connector provides local access to the CLI and any Routing Engine. For example, you can connect a notebook computer to the serial connector and a terminal emulator program to configure the IP addresses, user accounts, and other management settings through the CLI user interface. See the *JUNOS Protected System Domain Configuration Guide* for more information.
- Video connector—The video connector is not supported.
- Console (Ethernet) connector—Use this connector for a remote Ethernet connection to a network management station on the network.
- Two USB ports for mouse and keyboard—The USB ports are not supported.
- Reset button—When you press this button, the blowers operate at full speed while the management module is initializing.

The reset button provides the following functions:

- Press and release the reset button to restart the management module.
- Press and hold the reset button for 8 seconds to restore the management module to factory default settings.
- LEDs—There are five LEDs on the management module that provide status information about the management module and remote management connection. Table 1 describes the functions of these LEDs (see Figure 2).

**Table 1: JCS1200 Management Module LEDs**

Name	Color	State	Description
Power-on	Green	On steadily	The management module has power.
Active	Green	On steadily	The management module is actively controlling the JCS1200 platform. Only one management module actively controls the JCS1200 platform. If two management modules are installed in the JCS1200 platform, this LED is lit on only one module.
Management module error	Amber	On steadily	An error has been detected in the management module. When this LED is lit, the JCS1200 system error LED is also lit on the alarm panel.
Ethernet Link (LINK)	Green	On steadily	There is an active connection through the Ethernet port to the network.
Ethernet activity (TX/RX)	Green	Flashing	There is activity through the port over the network link.

- Related Topics**
- JCS1200 Management Module Description
  - Replacing a JCS1200 Management Module Filler Tray
  - Replacing a JCS1200 Management Module Interposer

- Replacing a JCS1200 Management Module or Module Filler
- Troubleshooting the JCS1200 Management Module
- Locating the JCS1200 Management Module Serial Number

---

Published: 2010-01-25