

TX Matrix Cable Shelf Assembly Installation Instructions

3 December 2004
Part No: 530-011964-01
Revision 2

This document describes how to install the cable shelf assembly for the Juniper Networks TX Matrix platform. For hardware installation and basic troubleshooting procedures for the TX Matrix platform, see the *TX Matrix Platform Hardware Guide*.

Contents

Cable Shelf Description	2
Cable Shelf Components	2
Tools and Parts Required	2
Installing the Cable Shelf Assembly in a Four-Post Rack or Cabinet	2
Installing the Cable Shelf Assembly in an Open-Frame Rack	5
Removing the Cable Shelf Assembly	8
List of Technical Publications	8
Requesting Support	10
Revision History	10

Cable Shelf Description

The cable shelf assembly is part of the cable management system for the TX Matrix platform. You can install the cable shelf assembly in a four-post rack or cabinet or an open-frame rack. You can use up to four shelves in the cable shelf assembly.

Cable Shelf Components

The cable shelf kit consists of the following parts:

- Left and right shelf walls. Each shelf wall has the required brackets and shelf supports.
- Four shelves. Each shelf has front and rear rubber lips to help prevent damage to cables.

Tools and Parts Required

To install the cable shelf assembly, you need a number 1 Phillips (+) screwdriver.

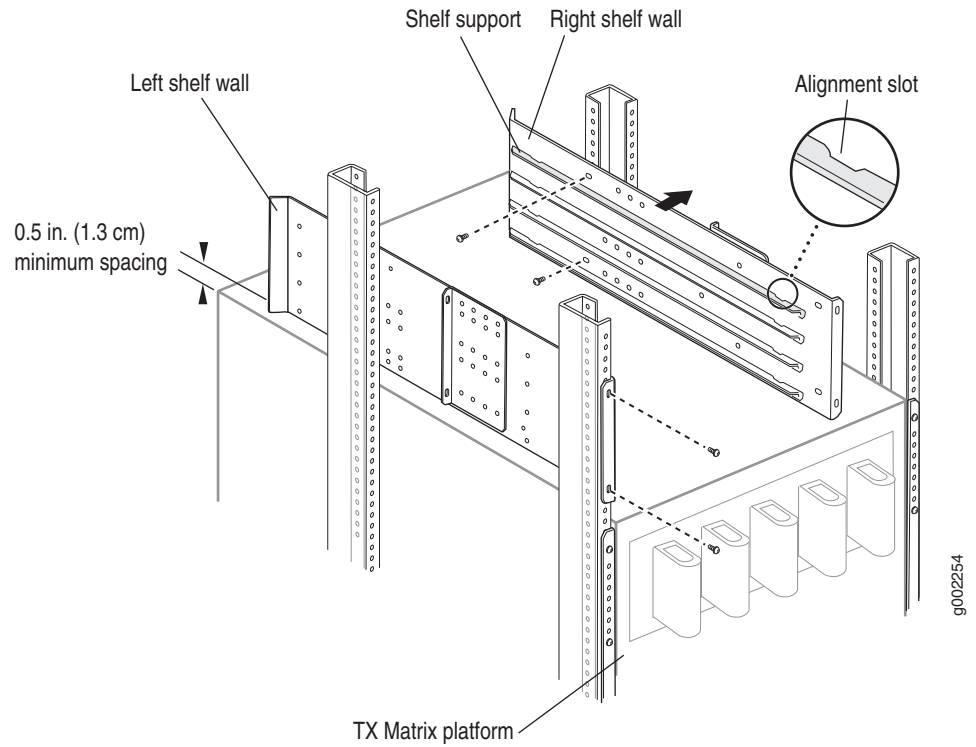
Installing the Cable Shelf Assembly in a Four-Post Rack or Cabinet

To install the cable shelf assembly in a four-post rack or cabinet, you attach the shelf walls to your rack rails, then you slide the shelves into the shelf walls. The rear bracket of each shelf wall is preattached for use in an open-frame rack, but it is not used in a four-post rack or cabinet (you can remove the rear brackets if desired). After you install the cable shelf assembly, its front is flush with the front of the TX Matrix chassis.

To install the cable shelf assembly in a four-post rack or cabinet, follow this procedure:

1. Use a screwdriver to attach each shelf wall to each rack rail. Make sure you install the left and right shelf walls on the correct sides. Figure 1 shows how to attach the shelf walls to a four-post rack or cabinet. Also, make sure the alignment slots in the shelf supports are on top and each shelf wall is installed at least 0.5 in. (1.3 cm) above the TX Matrix chassis. Screws for attaching the shelf walls to the rack rails are not provided.

Figure 1: Attaching the Shelf Walls to a Four-Post Rack or Cabinet



2. Orient each shelf with its alignment tabs pointing down, and slide each shelf into the cable shelf assembly as shown in Figure 2. Slide each shelf in until the front edge of its front rubber shelf lip is flush with the front of the shelf walls and each alignment tab on the shelf falls into its corresponding alignment slot.

Figure 2: Sliding the Shelves into a Four-Post Rack or Cabinet

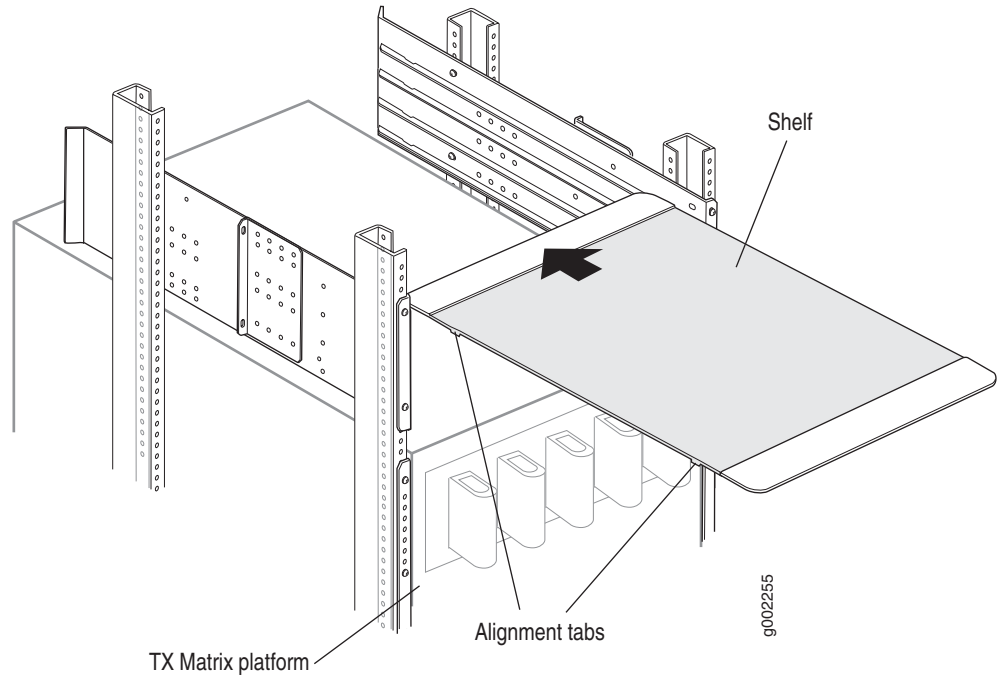
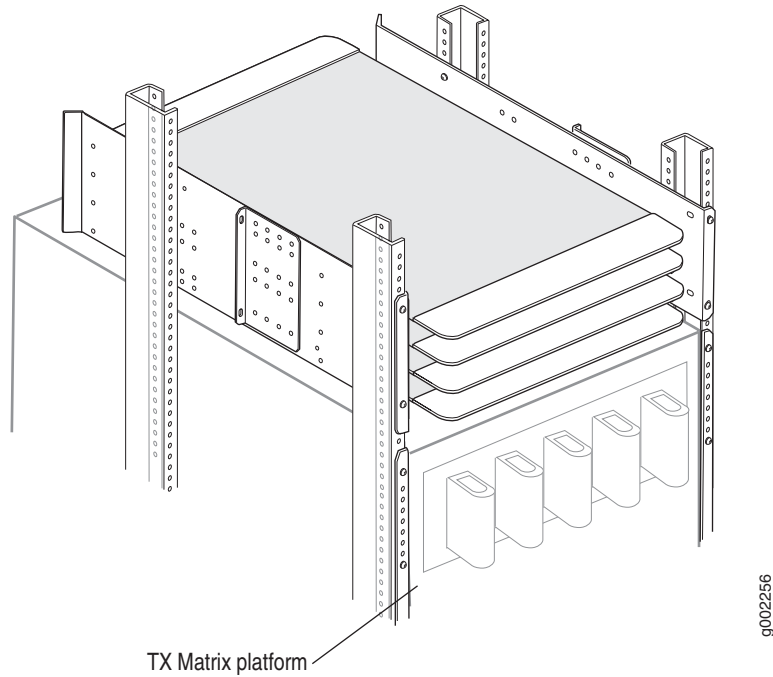


Figure 3 shows a cable shelf assembly installed in a four-post rack or cabinet.

Figure 3: Completed Cable Shelf Assembly in a Four-Post Rack or Cabinet



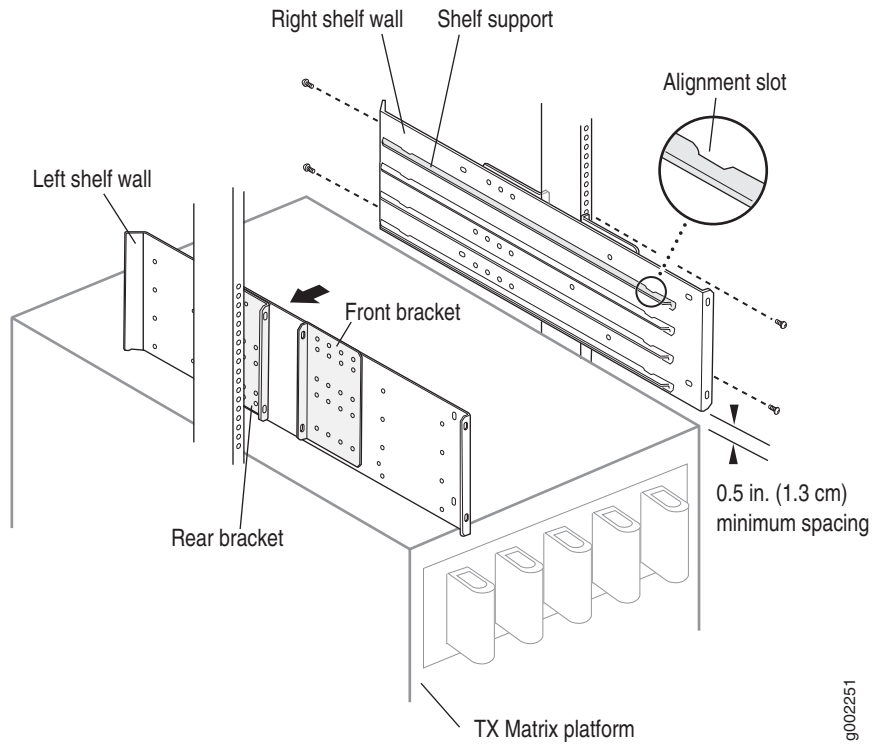
Installing the Cable Shelf Assembly in an Open-Frame Rack

To install the cable shelf assembly in an open-frame rack, you attach the shelf walls to your rack rails, then you slide the shelves into the shelf walls. The rear bracket of each shelf wall is preattached in position for a 3-in. rack rail, but you can remove and reattach it for 4-in., 5-in., or 6-in. rack rails. (If your rack rails are not 3-in., 4-in., 5-in., or 6-in., you do not use the rear brackets.) After you install the cable shelf assembly, its front is flush with the front of the TX Matrix chassis.

To install the cable shelf assembly in an open-frame rack, follow this procedure:

1. For rack rails other than 3 inches in width, use a screwdriver to remove the rear brackets from the shelf walls.
2. For 4-in., 5-in., or 6-in. rack rails, use a screwdriver to reattach each rear bracket in its appropriate position. You should use at least three screws per bracket. For any other rack rail width (such as metric), do not reattach the rear brackets.
3. Use a screwdriver to attach each shelf wall to each rack rail. Make sure you install the left and right shelf walls on the correct sides. Figure 4 shows how to attach the shelf walls to a rack with 3-in., 4-in., 5-in., or 6-in. rack rails. Also, make sure the alignment slots in the shelf supports are on top and each shelf wall is installed at least 0.5 in. (1.3 cm) above the TX Matrix chassis. Screws for attaching the shelf walls to the rack rails are not provided.

Figure 4: Attaching the Shelf Walls to an Open-Frame Rack



4. Orient each shelf with its alignment tabs pointing down, and slide each shelf into the cable shelf assembly as shown in Figure 5. Slide each shelf in until the front edge of its front rubber shelf lip is flush with the front of the shelf walls and each alignment tab on the shelf falls into its corresponding alignment slot.

Figure 5: Sliding the Shelves into an Open-Frame Rack

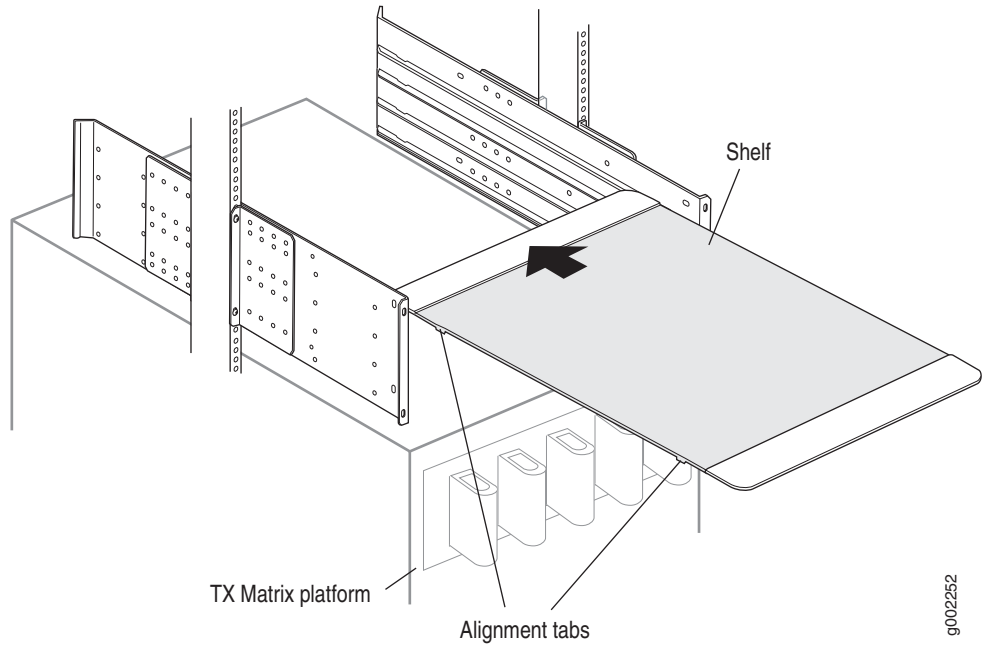
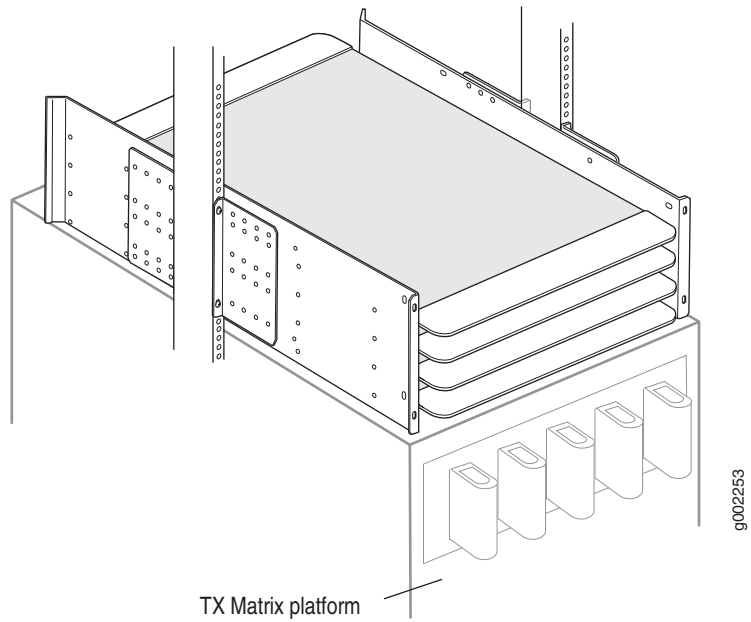


Figure 6 shows a cable shelf assembly installed in an open-frame rack.

Figure 6: Completed Cable Shelf Assembly in an Open-Frame Rack



Removing the Cable Shelf Assembly

To remove the cable shelf assembly, follow this procedure:

1. Lift and slide each shelf out of the cable shelf assembly.
2. For one of the shelf walls, use a screwdriver to remove the screws that attach the brackets or shelf walls to the rack rails. Hold onto the bracket or shelf wall so it does not fall while you remove the screws.
3. Remove the shelf wall from its rack rail.
4. Repeat Steps 2 and 3 for the other shelf wall.

List of Technical Publications

Table 1 lists the software and hardware guides and release notes for Juniper Networks routing platforms that use the JUNOS Internet software and describes the contents of each book.

Table 1: Juniper Networks Technical Documentation

Book	Description
JUNOS for J-series, M-series, and T-series Routing Platforms Configuration Guides	
<i>Feature Guide</i>	Provides a detailed explanation and configuration examples for several of the most complex features in the JUNOS software.
<i>System Basics</i>	Provides an overview of the JUNOS software and describes how to install and upgrade the software. This manual also describes how to configure system management functions and how to configure the chassis, including user accounts, passwords, and redundancy.
<i>Network Interfaces and Class of Service</i>	Provides an overview of the network interface and class-of-service functions of the JUNOS software and describes how to configure the network interfaces on the router.
<i>MPLS Applications</i>	Provides an overview of traffic engineering concepts and describes how to configure traffic engineering protocols.
<i>Multicast Protocols</i>	Provides an overview of multicast concepts and describes how to configure multicast routing protocols.
<i>Network Management</i>	Provides an overview of network management concepts and describes how to configure various network management features, such as SNMP, accounting options, and cflowd.
<i>Policy Framework</i>	Provides an overview of policy concepts and describes how to configure routing policy, firewall filters, and forwarding options.
<i>Routing Protocols</i>	Provides an overview of routing concepts and describes how to configure routing, routing instances, and unicast routing protocols.
<i>Services Interfaces</i>	Provides an overview of the services interfaces functions of the JUNOS software and describes how to configure the services interfaces on the router.

Book	Description
<i>VPNs</i>	Provides an overview and describes how to configure Layer 2 and Layer 3 virtual private networks (VPNs), virtual private LAN service (VPLS), and Layer 2 circuits. Provides configuration examples.
JUNOS References	
<i>Network and Services Interfaces Command Reference</i>	Describes the JUNOS Internet software operational mode commands you use to monitor and troubleshoot network and services interfaces on Juniper Networks routing platforms.
<i>Protocols, Class of Service, and System Basics Command Reference</i>	Describes the JUNOS Internet software operational mode commands you use to monitor and troubleshoot most aspects of Juniper Networks routing platforms.
<i>System Log Messages Reference</i>	Describes how to access and interpret system log messages generated by JUNOS software modules and provides a reference page for each message.
JUNOScript API Documentation	
<i>JUNOScript API Guide</i>	Describes how to use the JUNOScript application programming interface (API) to monitor and configure Juniper Networks routers.
<i>JUNOScript API Configuration Reference</i>	Provides reference pages for the configuration tags in the JUNOScript API.
<i>JUNOScript API Operational Reference</i>	Provides reference pages for the operational tags in the JUNOScript API.
JUNOS Comprehensive Index and Glossary	
<i>Comprehensive Index and Glossary</i>	Provides a complete index of all JUNOS Internet software books and the <i>JUNOScript API Guide</i> . Also provides a comprehensive glossary.
Hardware Documentation	
<i>Hardware Guide</i>	Describes how to install, maintain, and troubleshoot routers and router components. Each platform has its own hardware guide.
<i>PIC Guide</i>	Describes the router Physical Interface Cards (PICs). Each router platform has its own PIC guide.
JUNOScope Documentation	
<i>JUNOScope Software User Guide</i>	Describes the JUNOScope software graphical user interface (GUI), how to install and administer the software, and how to use the software to manage router configuration files and monitor router operations.
J-series Services Router Documentation	
<i>J-series Services Router User Guide</i>	Contains instructions for installing, configuring, and managing a J-series Services Router. The guide explains how to prepare your site for installation, unpack and install the hardware, power on the router, configure secure routing, monitor network operations, and perform routine maintenance.
Release Notes	
<i>JUNOS Internet Software Release Notes</i>	Provide a summary of new features for a particular software release. Software release notes also contain corrections and updates to published JUNOS and JUNOScript manuals, provide information that might have been omitted from the manuals, and describe upgrade and downgrade procedures.

Book	Description
<i>Hardware Release Notes</i>	Describe the available documentation for the router platform and summarize known problems with the hardware and accompanying software. Each platform has its own release notes.
<i>JUNOScope Software Release Notes</i>	Contain corrections and updates to the published JUNOScope manual, provide information that might have been omitted from the manual, and describe upgrade and downgrade procedures.
<i>J-series Services Router Release Notes</i>	Briefly describe Services Router features, identify known hardware problems, and provide upgrade and downgrade instructions

Requesting Support

For technical support, open a support case using the Case Manager link at <http://www.juniper.net/support/> or call 1-888-314-JTAC (within the United States) or 1-408-745-9500 (outside the United States).

If you are reporting a hardware or software problem, issue the following command from the CLI before contacting support:

```
user@host>request support information | save filename
```

To provide a core file to Juniper Networks for analysis, compress the file with the `gzip` utility, rename the file to include your company name, and copy it to `ftp.juniper.net:pub/incoming`. Then send the filename, along with software version information (the output of the `show version` command) and the configuration, to `support@juniper.net`.

For documentation issues, fill out the bug report form located at <http://www.juniper.net/techpubs/docbug/docbugreport.html>.

Revision History

3 December 2004—Revision 2. Added instructions for installation in a four-post rack or cabinet.

12 November 2004—Revision 1.

Copyright © 2004, Juniper Networks, Inc. All rights reserved.

Juniper Networks, the Juniper Networks logo, NetScreen, NetScreen Technologies, the NetScreen logo, NetScreen-Global Pro, ScreenOS, and GigaScreen are registered trademarks of Juniper Networks, Inc. in the United States and other countries.

The following are trademarks of Juniper Networks, Inc.: ERX, ESP, E-series, Instant Virtual Extranet, Internet Processor, J2300, J4300, J6300, J-Protect, J-series, J-Web, JUNOS, JUNOScope, JUNOScript, JUNOSe, M5, M7i, M10, M10i, M20, M40, M40e, M160, M320, M-series, MMD, NetScreen-5GT, NetScreen-5XP, NetScreen-5XT, NetScreen-25, NetScreen-50, NetScreen-204, NetScreen-208, NetScreen-500, NetScreen-5200, NetScreen-5400,

NetScreen-IDP 10, NetScreen-IDP 100, NetScreen-IDP 500, NetScreen-Remote Security Client, NetScreen-Remote VPN Client, NetScreen-SA 1000 Series, NetScreen-SA 3000 Series, NetScreen-SA 5000 Series, NetScreen-SA Central Manager, NetScreen Secure Access, NetScreen-SM 3000, NetScreen-Security Manager, NMC-RX, SDX, Stateful Signature, T320, T640, T-series, and TX Matrix. All other trademarks, service marks, registered trademarks, or registered service marks are the property of their respective owners. All specifications are subject to change without notice. Juniper Networks assumes no responsibility for any inaccuracies in this document. Juniper Networks reserves the right to change, modify, transfer, or otherwise revise this publication without notice.