

EX8208 Switch Quick Start

To install and configure a Juniper Networks EX8208 Ethernet Switch, you need:

- Adjustable mounting brackets (4 pieces) with 12 screws (provided)
- 40–44 mounting screws appropriate for your rack (16 to attach the adjustable mounting brackets to the rack, 24 to attach the preinstalled front-mounting brackets to the rack, and 4 if you will attach the optional power cord tray to the rack) (not provided)
- A power cord with a plug appropriate for your geographical location and a power cord retainer (for each power supply) (provided)
- Optional power cord tray (provided)
- Ethernet cable with an RJ-45 connector attached (provided)
- Electrostatic discharge (ESD) grounding strap (provided)
- Phillips (+) screwdrivers (one appropriate for your rack mounting screw size; a number 2 for the adjustable mounting bracket screws; a number 1 to remove power supplies if you will install the switch without using a mechanical lift) (not provided)
- Management host, such as a PC, with an Ethernet port (not provided)

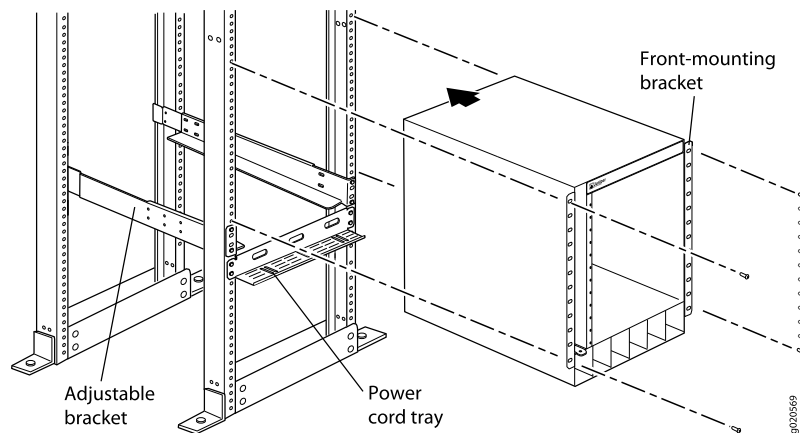
NOTE: These instructions apply to four-post 19-in. rack installation. For information about two-post 19-in. rack installation, more about the tasks described in this quick start, and about other setup tasks, see the EX Series documentation at <http://www.juniper.net/techpubs/>.

Part 1: Mount the Switch

1. Attach the grounding strap to your bare wrist and to the ESD point on the chassis.
2. Ensure that the rack is properly secured to the building in its permanent location.
3. Install the adjustable mounting brackets in the rack in the lowest position that has 14 U space for the chassis (15 U if you will install the power cord tray).

NOTE: If you are mounting multiple units on the rack, mount the heaviest unit at the bottom of the rack and mount the others from bottom to top in order of decreasing weight.

4. (Optional) Attach the power cord tray to the rack.

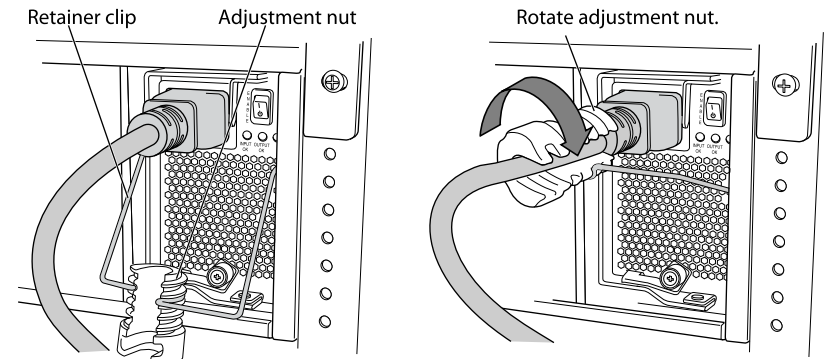


5. To position the switch in the rack and align the bracket holes with the threaded rack holes, use a mechanical lift or remove all switch components and have at least three persons lift the switch and position it.
6. Install a mounting screw into each of the front-mounting bracket holes.
7. If you did not use a mechanical lift, reinstall the switch components.

Part 2: Connect Power to the Switch

Power supplies come preinstalled in the chassis. For each power supply:

1. Ensure that the power supply is fully inserted and latched securely in the chassis.
2. Flip the **Enable** switch to the Standby position.
3. Squeeze the sides of the power cord retainer clip. Insert the L-shaped clip ends into the bracket holes on each side of the AC appliance inlet.
4. Insert the coupler end of the power cord into the AC appliance inlet.
5. Push the power cord into the slot in the adjustment nut. Turn the nut until it is against the base of the coupler and the slot in the nut is turned 90° from the top of the switch.



6. If the AC power source outlet has a power switch, set it to the OFF (0) position.
7. Insert the power cord plug into the power source outlet.
8. If the AC power source outlet has a power switch, set it to the ON (I) position.
9. Verify that the **INPUT OK** LED on the power supply faceplate is lit and is on steadily.
10. Flip the power supply **Enable** switch to the “on” position.

Part 3: Perform Initial Configuration

NOTE: Before you begin the configuration, enable a DHCP client on the management PC you will connect to the switch so that the switch can obtain an IP address dynamically.

NOTE: Read the following steps before you begin the configuration. You must complete the initial configuration using EZSetup within 10 minutes. The LCD panel displays a count-down timer and the switch exits EZSetup after 10 minutes. It then reverts to the factory default configuration, and the PC loses connectivity to the switch.

1. Transition the switch into initial setup mode using the **Menu** and **Enter** buttons to the right of the LCD panel. To do this:




- Press **Menu** until you see MAINTENANCE MENU. Then press **Enter**.
 - Press **Menu** until you see ENTER EZSetup. Then press **Enter**.
- If EZSetup does not appear as an option in the menu, select Factory Default to return the switch to the factory default configuration. EZSetup is displayed in the menu only when the switch is set to the factory default configuration.
- Press **Enter** to confirm setup and continue with EZSetup.
2. Connect the Ethernet cable from the Ethernet port on the PC to the **MGMT** port on the SRE module that is in slot SRE0.
The interface (the port labeled **MGMT** on the SRE module in slot SRE0) is now configured as the DHCP server with the default IP address, 192.168.1.1. The switch can assign an IP address to the management PC in the range 192.168.1.2 through 192.168.1.253.
 3. From the PC, open a Web browser, type <http://192.168.1.1> in the address field and press the Enter key.
 4. On the J-Web login page, enter **root** as the username, leave the password field blank, and click **Login**.
 5. On the Introduction page, click **Next**.
 6. On the Basic Settings page, enter the hostname, enter and reenter a password, specify the time zone, and synchronize the switch date and time settings with the management PC or set them manually.
 7. Click **Next**.
 8. On the Management Options page select **Out-of-band Management—Configure management port** to configure the management interface.
 9. Click **Next**.
 10. Specify the IP address and default gateway for the management interface.
 11. Click **Next**.
 12. On the Manage Access page, you may select options to enable Telnet, SSH, and SNMP services. For SNMP, you can configure the read community, location, and contact.
 13. Click **Next**. The Summary page displays the settings you have selected.
 14. Click **Finish**. The configuration is committed as the active switch configuration. You can now log in with the CLI or the J-Web interface to continue configuring the switch.

NOTE: After the configuration is committed, the connectivity between the PC and the switch might be lost. To reconnect, release and renew the IP address by executing the appropriate commands on the PC or by removing and reinserting the Ethernet cable.

Safety Warnings Summary

This is a summary of safety warnings. For a complete list of warnings, including translations, see the EX Series documentation at <http://www.juniper.net/techpubs/>.

 **WARNING:** Failure to observe these safety warnings can result in personal injury or death.

- Permit only trained and qualified personnel to install or replace switch components.

- Perform only the procedures described in this quick start and the EX Series documentation. Other services must be performed only by authorized service personnel.
- Before installing the switch, read the planning instructions in the EX Series documentation to make sure that the site meets power, environmental, and clearance requirements for the switch.
- Before connecting the switch to a power source, read the installation instructions in the EX Series documentation.
- Installing the EX8208 switch without using a mechanical lift requires at least three persons to lift the switch onto the adjustable mounting brackets. To prevent injury, keep your back straight and lift with your legs, not your back.
- If the rack has stabilizing devices, install them in the rack before mounting or servicing the switch in the rack.
- Before installing or after removing an electrical component, always place it component-side up on an antistatic mat placed on a flat, stable surface or in an antistatic bag.
- Do not work on the switch or connect or disconnect cables during electrical storms.
- Before working on equipment that is connected to power lines, remove jewelry, including rings, necklaces, and watches. Metal objects heat up when connected to power and ground and can cause serious burns or become welded to the terminals.
- Do not mix AC and DC power supplies in the same chassis.

Power Cable Warning (Japanese)

The attached power cable is only for this product. Do not use this cable for another product.

注意

付属の電源コードセットはこの製品専用です。
他の電気機器には使用しないでください。

0040300

Contacting Juniper Networks

For technical support, see <http://www.juniper.net/support/requesting-support.html>.